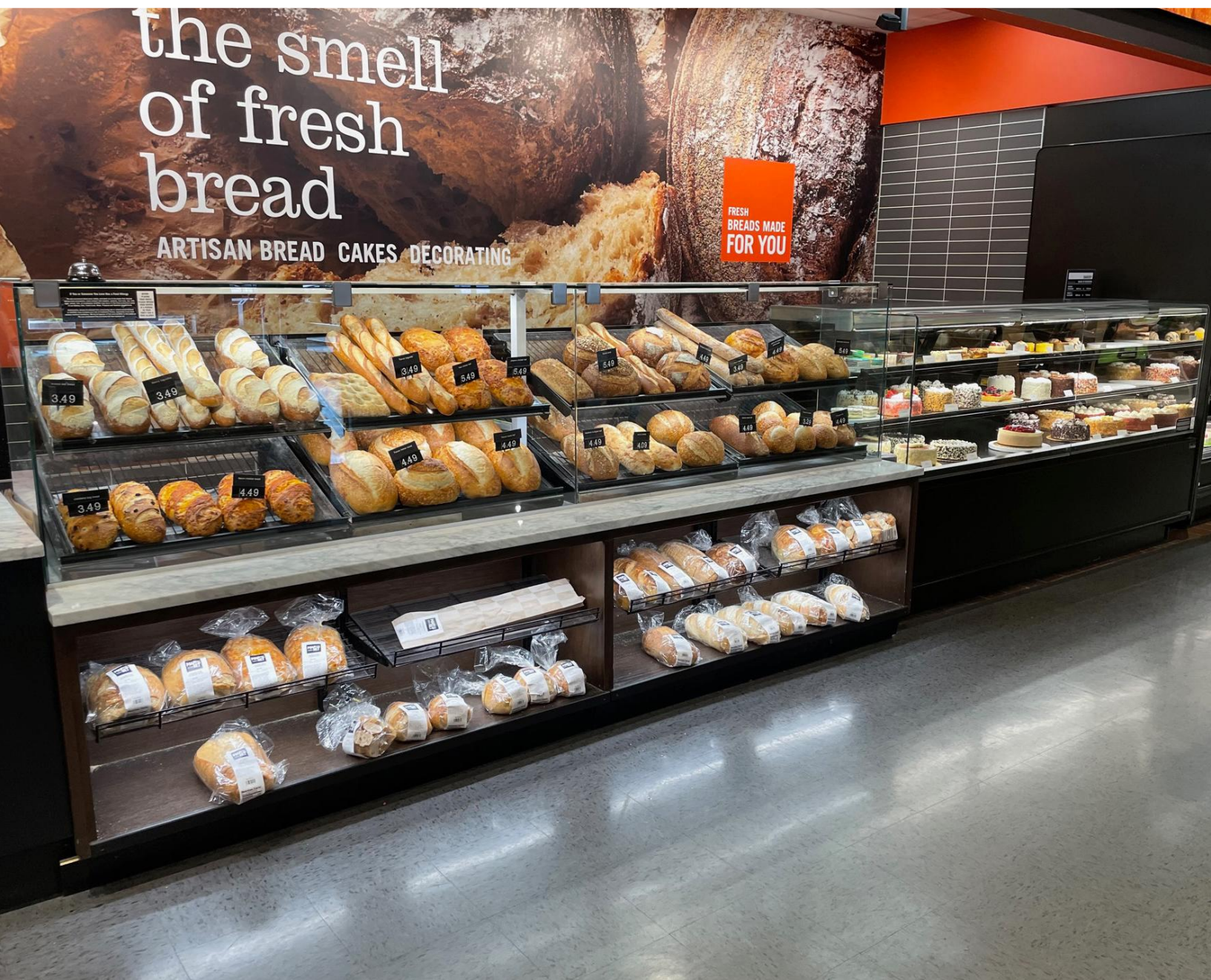




BAKERY

COLLECTION

 **Cayuga** DISPLAYS







DEPARTMENT: BAKERY

The bakery department has fantastic potential for creating those feelings of comfort and pleasure that your customers can take with them through the store.

We understand the power of a great bakery experience and we'll help you develop your department with the right impactful display fixtures, service and self-service cases - always thinking of freshness, functionality and opportunities for cross-merchandising!

Today's savvy customers are looking for a vast range of bakery products in their favorite stores. Cayuga Displays has an extensive line of display cases and fixtures to make sure they're delighted with the full selection of products you have to offer!

And when you work with Cayuga Displays, you can always be confident we'll help you to select the right product and options, so that you have the food presentation that is certain to elevate your customers' experience and enhance your brand - beautifully..

"Cayuga is a company that is responsive, flexible and innovative. They've helped us create a truly seamless and unique look for our new bakery service department... They don't give a 10-minute excuse as to why they CAN'T do something - they just do it."

Don Whiteman,
Niemann Foods Inc.
Bakery Director

Table of Contents

Bakery Island Shelving	
Bakery Island Shelving - End Cap	8
Bakery Island Shelving - Centre	9
Mobile Shelving Display	
Mobile Shelving Display - Dowel Back	11
Mobile Shelving Display - Solid Back	12
Bakery Wall Displays	
Line-Up Pastry Case w/ Ledge - 47”D - Layout Examples	
Two Door Pastry Case w/Ledge - 47”D	15
Three Door Pastry Case w/Ledge - 47”D	16
Four Door Pastry Case w/Ledge - 47”D	17
Line-Up Pastry Case - 37”D - Layout Examples	
Two Door Pastry Case - 37”D	19
Three Door Pastry Case - 37”D	20
Four Door Pastry Case - 37”D	21
Stand-Alone Pastry Case w/ Ledge - 43”D	
Two Door Pastry Case w/Ledge - 43”D	22
Three Door Pastry Case w/Ledge - 43”D	23
Three Door Pastry Case w/Ledge - 43”D	24
Stand-Alone Pastry Case - 33”D	
Two Door Stand-Alone Pastry Case - 33”D	25
Three Door Stand-Alone Pastry Case - 33”D	26
Four Door Stand-Alone Pastry Case - 33”D	27
Line-Up Pastry Case w/Ledge - 39”D - Layout Examples	
Two Door Pastry Case w/Ledge - 39”D	29
Baguette Display	30
Bulk Bun/Pastry Case - Single Sided, Front Loading	31
Bulk Bun/Pastry Case - Double Sided	32
Pastry & Doughnut Case - Rear Loading	33
Pastry & Doughnut Case - Front Loading	34

Table of Contents Continued

Countertop Service Displayer - Pastry & Doughnut Case	35
Bun Bin with Base Storage - Two Tier	36
Tiered Merchandising Table	37
Nesting Table Set - 7 Piece	38
Nesting Table Set - 3 Piece	39
Stepped Nesting Table Set - 5 Piece	40
Stepped Nesting Table Set - 4 Piece	41
Stepped Nesting Table Set - 3 Piece	42
Market Bin	
Market Bin with Base Merchandising	44
Market Bin	45
Closed Wing Table	46
Wing Table - 3 Open Sides	47
Walkaround Shelving Display	48
Mobile Bakery Rack	49
Hanging Wall Shelving - 3'	50
Hanging Wall Shelving - 4'	51
Sign Holder	52
Finishes	
Laminate	53
Painted Metal	55
Wood Stains	56
How to Order	57

BAKERY ISLAND SHELVING

Finish: Natural Maple



10' 11\"/>



10' 11\"/>

Finish: Concerto

Applications

- Island shelving display that allows for easy fastening together
- Both the 3' and 4' straight run allows for multiple combinations
- 54\"/>
- 60\"/>
- Adjustable shelves (shelves can be either angled or sit flat)
- ABS bumper to help protect unit
- Data Strip on shelves and base

BAKERY ISLAND SHELVING END CAP



Clear finish shown



Weathered Wood finish shown. Other finishes available - see chart.

MODEL	DESCRIPTION	LENGTH	DEPTH	HEIGHT
SDIE-039-01B	Bakery Island Shelving - End Cap	48"	24"	59 ¾"
SDIE-043-01B	Bakery Island Shelving - End Cap	48"	24"	53 ¾"

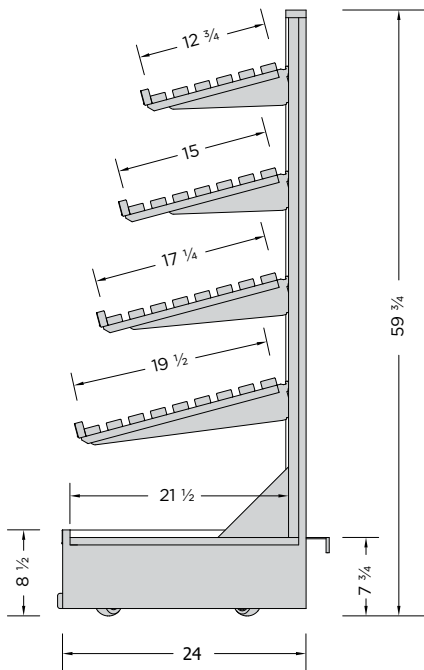
FEATURES:

- Birch/maple plywood & solid maple construction
- Heavy duty casters (2 locking). Casters accessed through back of unit
- 1 ½" bumper & data strip
- Adjustable shelves - flat and 15° angle
- SDIE-039-01B
 - Shelf depths: 14"/16"/18"/ 20"
- SDIE-043-01B
 - Shelf depths: 16"/18"/ 20"

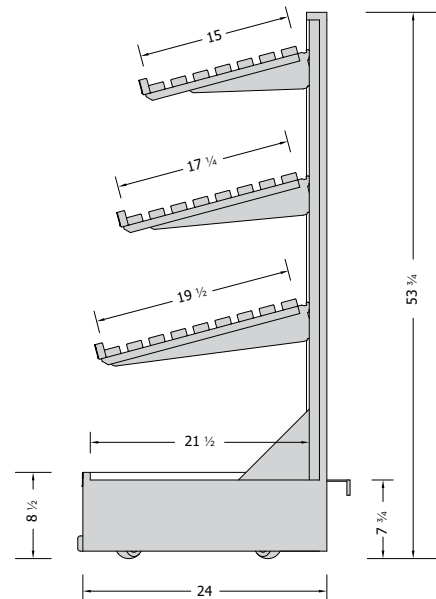
OPTIONS:

- Refer to Wood Stains Finishes

Note: Information and specifications may change due to engineering improvements.



SDIE-039-01B



SDIE-043-01B

ISLAND SHELVING CENTRE



Clear finish shown



Select Cherry finish shown. Other finishes available - see chart.

MODEL	DESCRIPTION	LENGTH	DEPTH	HEIGHT
SDCD-022-01B	Centre Island Shelving - 48"	47 1/2"	48"	59 3/4"
SDCD-022-02B	Centre Island Shelving - 36"	35 1/2"	48"	59 3/4"
SDCD-023-01B	Centre Island Shelving - 48"	47 1/2"	48"	53 3/4"
SDCD-023-02B	Centre Island Shelving - 36"	35 1/2"	48"	53 3/4"

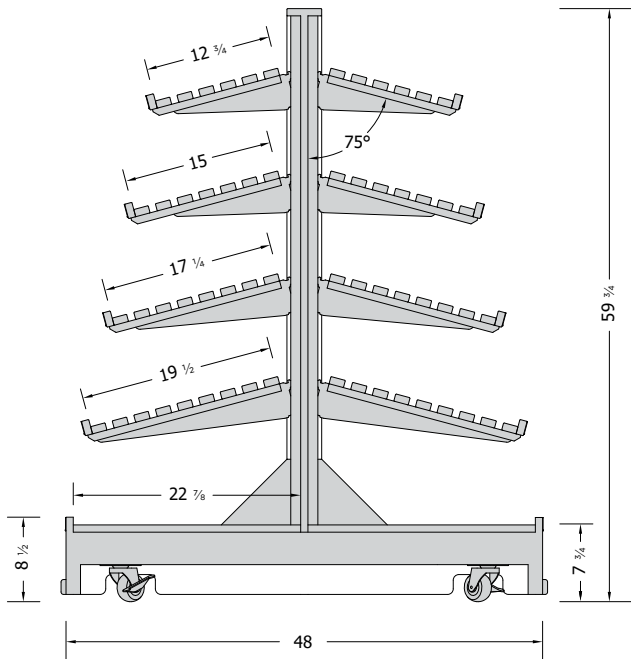
FEATURES:

- Birch/maple plywood & solid maple construction
- Heavy duty casters (2 locking)
- 1 1/2" bumper & data strip
- Adjustable shelves - flat and 15° angle
- SDCD-022-01B & SDCD-022-02B
 - Shelf depths: 14"/16"/18"/ 20"
- SDCD-023-01B & SDCD-023-02B
 - Shelf depths: 16"/18"/ 20"

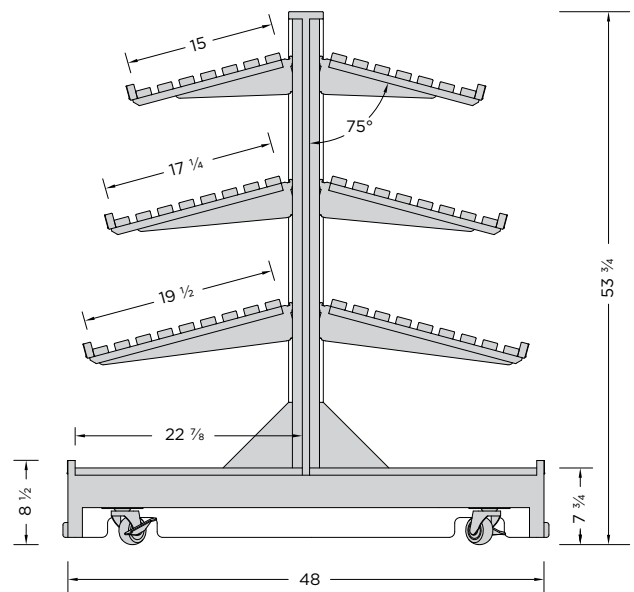
OPTIONS:

- Refer to Wood Stains Finishes

Note: Information and specifications may change due to engineering improvements.



SDCD-022-01B (48"L)
SDCD-022-02B (36"L)



SDCD-023-01B (48"L)
SDCD-023-02B (36"L)

MOBILE SHELVING DISPLAY

Finish: Concerto



14'L Mobile Shelving (Solid Back) shown:
SGMB-011-02B (36" Mobile Shelving)
SGMB-011-02B (36" Mobile Shelving)
SGMB-011-01B (48" Mobile Shelving)
SGMB-011-01B (48" Mobile Shelving)

11'L Mobile Shelving (Dowel Back) shown:
SGMB-08-01B (48" Mobile Shelving)
SGMB-08-02B (36" Mobile Shelving)
SGMB-008-01B (48" Mobile Shelving)
SGMB-08-01B (48" Mobile Shelving)



Finish: Natural Maple

Applications

- A versatile merchandising display that can be assembled in a straight run or in an island format
- Both the 3' and 4' units allow for multiple combinations
- The 12" base deck height is the only unit with a solid base (no lower runner)
- There are two deck heights available (16" & 24") for the units with dowel backs
- Units come with protective leg caps, and heavy-duty locking casters
- Other accessories available upon request

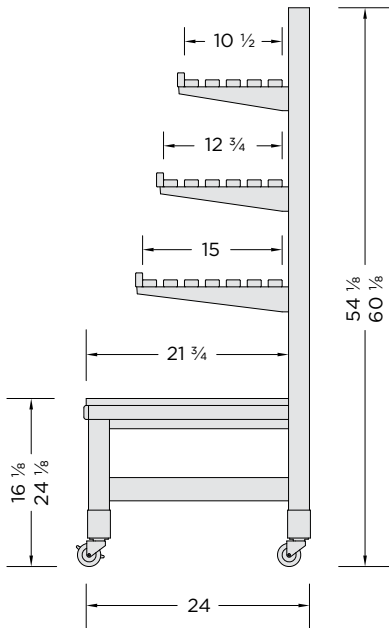
MOBILE SHELVING DISPLAY

DOWEL BACK

Clear finish shown



Oiled Cherry finish shown. Other finishes available - see chart.



SGMB-005-01B (47 1/2"L)
SGMB-005-02B (35 1/2"L)

MODEL	DESCRIPTION	LENGTH	DEPTH	HEIGHT
SGMB-005-01B	Mobile Display - 48" w/16" Base Height	48"	24"	60"
SGMB-005-02B	Mobile Display - 36" w/16" Base Height	36"	24"	60"
SGMB-006-01B	Mobile Display - 48" w/24" Base Height	48"	24"	60"
SGMB-006-02B	Mobile Display - 36" w/24" Base Height	36"	24"	60"
SGMB-008-01B	Mobile Display - 48" w/16" Base Height	48"	24"	54"
SGMB-008-02B	Mobile Display - 36" w/16" Base Height	36"	24"	54"
SGMB-009-01B	Mobile Display - 48" w/24" Base Height	48"	24"	54"
SGMB-009-02B	Mobile Display - 36" w/24" Base Height	36"	24"	54"

FEATURES:

- Birch/maple plywood & solid maple construction
- Heavy duty casters (2 locking)
- Protective leg caps
- ABS bumper
- Adjustable shelves - flat and 15° angle
- Shelf depths: 12"/14"/16"

OPTIONS:

- 18" and 21" deep shelves available
- Refer to Wood Stains Finishes

Note: Information and specifications may change due to engineering improvements.

MOBILE SHELVING DISPLAY

SOLID BACK



Clear finish shown



Weathered Wood finish shown. Other finishes available - see chart.

MODEL	DESCRIPTION	LENGTH	DEPTH	HEIGHT
SGMB-011-01B	Mobile Display - 48" w/12" Base Height	48"	24"	54"
SGMB-011-02B	Mobile Display - 36" w/12" Base Height	36"	24"	54"

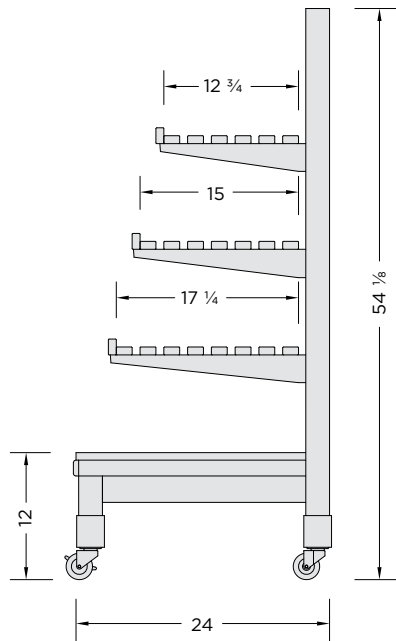
FEATURES:

- Birch/maple plywood & solid maple construction
- Heavy duty casters (2 locking)
- Protective leg caps
- ABS bumper
- Adjustable shelves - flat and 15° angle
- Shelf depths: 14"/16"/18"

OPTIONS:

- 12" and 21" deep shelves available
- Refer to Wood Stains Finishes

Note: Information and specifications may change due to engineering improvements.



SGMB-011-01B (47 1/2"L)
SGMB-011-02B (35 1/2"L)

BAKERY WALL DISPLAYS

Finish: Natural Maple



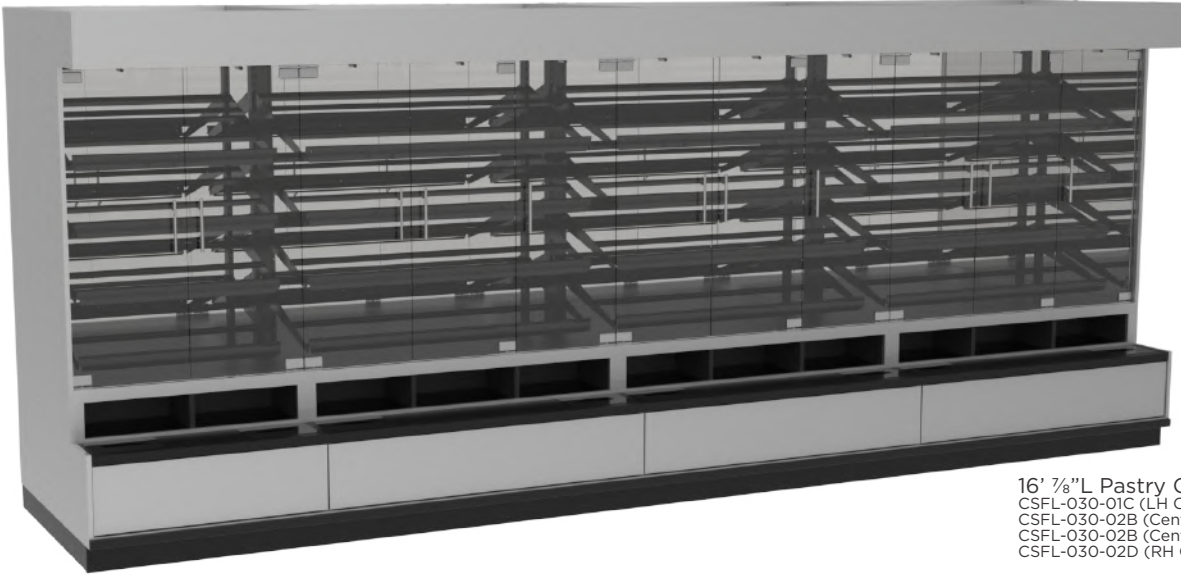
Applications

- Versatile merchandising display that allows for easy customization with the numerous accessories available
- Both the 3' and 4' straight run allows for multiple combinations and
- Separate end panels allow units to be arranged on site then attached after displays are in place to allow layout to be adjusted if required
- ABS bumper, waterfall shelves and either with or without canopy

PASTRY CASE W/LEDGE - 47" D

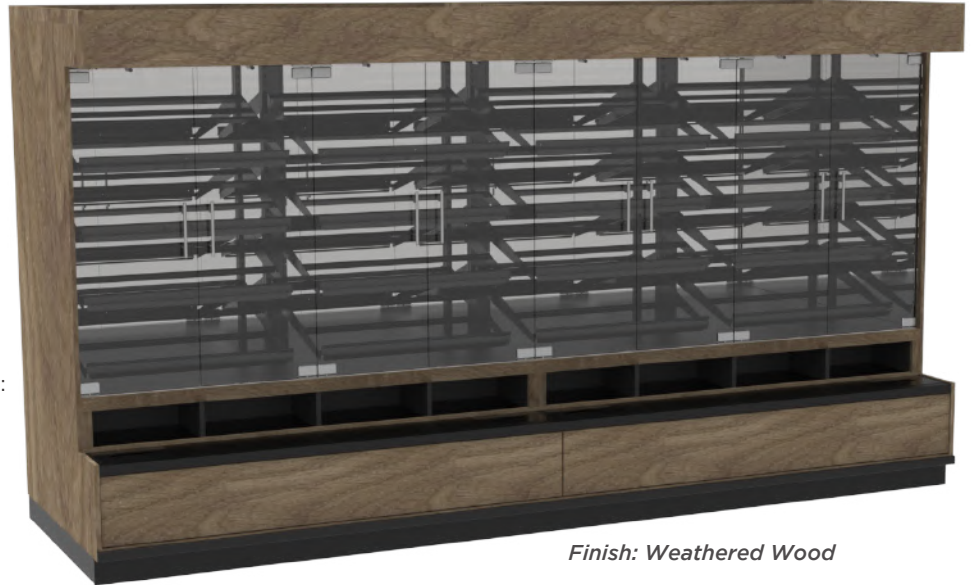
LAYOUT EXAMPLES

Finish: Grey



16' 7/8" L Pastry Case w/ Ledge Line-up shown:
CSFL-030-01C (LH Case, 2 Door)
CSFL-030-02B (Center Case, 3 Door)
CSFL-030-02B (Center Case, 3 Door)
CSFL-030-02D (RH Case, 3 Door)

12' 1/4" L Pastry Case w/ Ledge Line-up shown:
CSFL-030-03C (LH Case, 4 Door)
CSFL-030-03D (RH Case, 4 Door)



Finish: Weathered Wood

Applications

- Case modules can be joined together to create a seamless lineup
- Two door, three door and four door cases available
- Matching modular bakery wall shelving available
- Adjustable shelving designed for 18" x 26" bakery trays (trays not included)

TWO DOOR PASTRY CASE W/ LEDGE - 47" D

CSFL-030-01E



CSFL-030-01C



CSFL-030-01B



CSFL-030-01D

MODEL	DESCRIPTION	LENGTH	DEPTH	HEIGHT
CSFL-030-01E	Pastry Case (LH/ RH Gables)	38"	46 3/4"	82"
CSFL-030-01C	Pastry Case (LH Gable)	37 1/4"	46 3/4"	82"
CSFL-030-01B	Centre Pastry Case (No Gables)	36 1/2"	46 3/4"	82"
CSFL-030-01D	Pastry Case (RH Gable)	37 1/4"	46 3/4"	82"

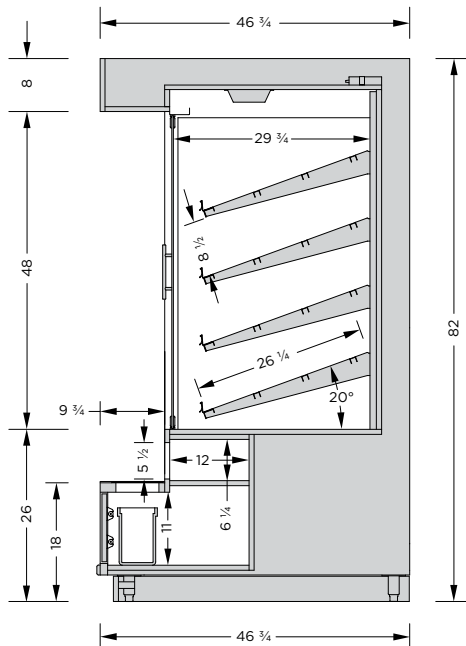
FEATURES:

- Birch/maple plywood, melamine & solid maple construction, mirror back and interior gables
- Standard stain exterior finish & laminate ledge counter
- Tempered glass doors with soft closing stop
- Stainless Steel Sani legs & removable kicks
- 1 1/2" black ABS bumper
- Metal adjustable shelves with ticket mold - 20° angle (designed to hold standard 18" x 26" baking tray)
- LED lighting and fans in canopy
- LED lighting under top 3 shelves
- Tissue paper holder (6 1/2" x 7" x 2 5/8"D) & garbage bin in ledge
- Modules can be joined to create a longer seamless lineup

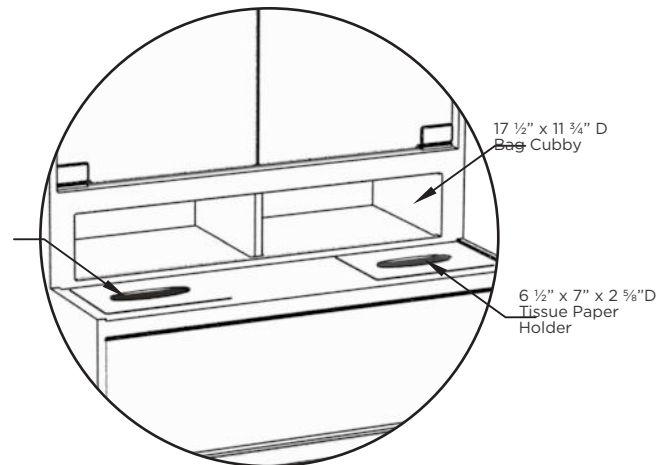
OPTIONS:

- Door closers
- 1" McCue bumper
- Standard & premium exterior laminates
- Stainless, solid surface or stone counters

Note: Information and specifications may change due to engineering improvements.



CSFL-030-01B,C,D,E



THREE DOOR PASTRY CASE W/ LEDGE - 47" D

CSFL-030-02E



CSFL-030-02C



CSFL-030-02B



CSFL-030-02D

MODEL	DESCRIPTION	LENGTH	DEPTH	HEIGHT
CSFL-030-02E	Pastry Case (LH/ RH Gables)	56 ¼"	46 ¾"	82"
CSFL-030-02C	Pastry Case (LH Gable)	55 ½"	46 ¾"	82"
CSFL-030-02B	Centre Pastry Case (No Gables)	54 ¾"	46 ¾"	82"
CSFL-030-02D	Pastry Case (RH Gable)	55 ½"	46 ¾"	82"

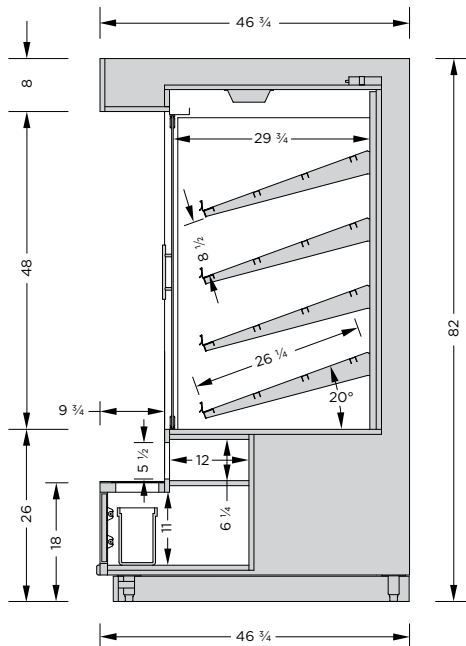
FEATURES:

- Birch/maple plywood, melamine & solid maple construction, mirror back and interior gables
- Standard stain exterior finish & laminate ledge counter
- Tempered glass doors with soft closing stop
- Stainless Steel Sani legs & removable kicks
- 1 ½" black ABS bumper
- Metal adjustable shelves with ticket mold - 20° angle (designed to hold standard 18" x 26" baking tray)
- LED lighting and fans in canopy
- LED lighting under top 3 shelves
- Tissue paper holder (6 ½" x 7" x 2 ⅝"D) & garbage bin in ledge
- Modules can be joined to create a longer seamless lineup

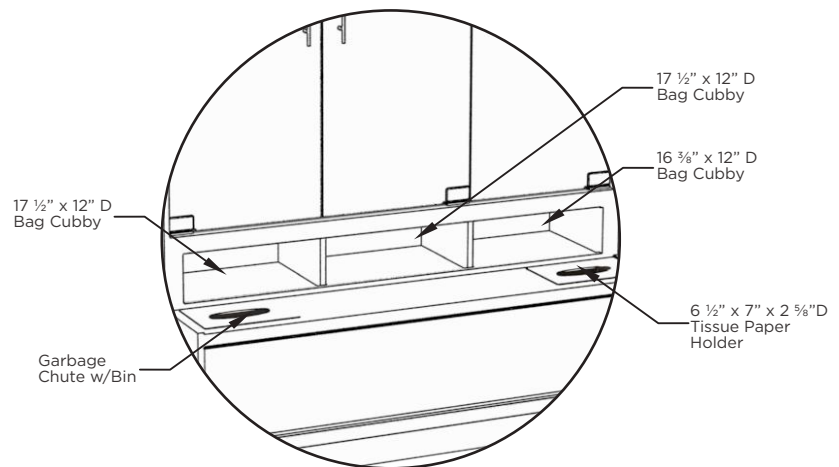
OPTIONS:

- Door closers
- 1" McCue bumper
- Standard & premium exterior laminates
- Stainless, solid surface or stone counters

Note: Information and specifications may change due to engineering improvements.



CSFL-030-02B,C,D,E



FOUR DOOR PASTRY CASE W/ LEDGE - 47" D

CSFL-030-03E



CSFL-030-03C



CSFL-030-03B



CSFL-030-03D

MODEL	DESCRIPTION	LENGTH	DEPTH	HEIGHT
CSFL-030-03E	Pastry Case (LH/ RH Gables)	74 1/2"	46 3/4"	82"
CSFL-030-03C	Pastry Case (LH Gable)	73 3/4"	46 3/4"	82"
CSFL-030-03B	Centre Pastry Case (No Gables)	73"	46 3/4"	82"
CSFL-030-03D	Pastry Case (RH Gable)	73 3/4"	46 3/4"	82"

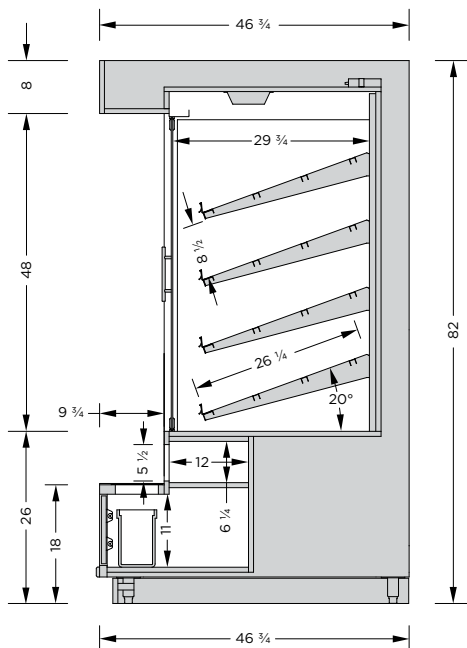
FEATURES:

- Birch/maple plywood, melamine & solid maple construction, mirror back and interior gables
- Standard stain exterior finish & laminate ledge counter
- Tempered glass doors with soft closing stop
- Stainless Steel Sani legs & removable kicks
- 1 1/2" black ABS bumper
- Metal adjustable shelves with ticket mold - 20° angle (designed to hold standard 18" x 26" baking tray)
- LED lighting and fans in canopy
- LED lighting under top 3 shelves
- Tissue paper holder (6 1/2" x 7" x 2 5/8"D) & garbage bin in ledge
- Modules can be joined to create a longer seamless lineup

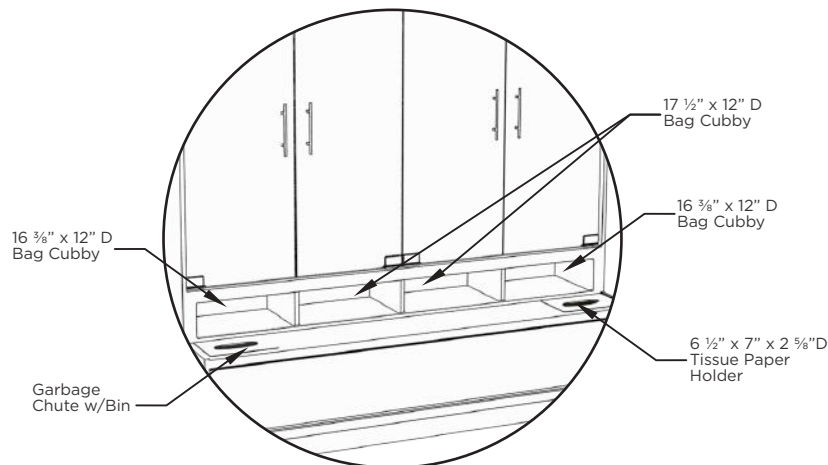
OPTIONS:

- Door closers
- 1" McCue bumper
- Standard & premium exterior laminates
- Stainless, solid surface or stone counters

Note: Information and specifications may change due to engineering improvements.



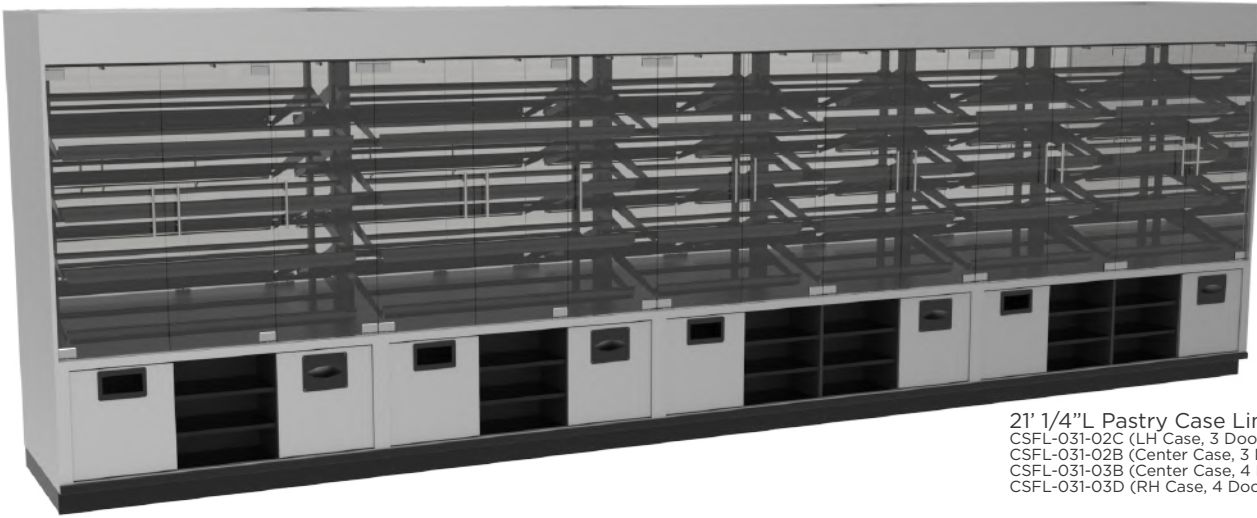
CSFL-030-03B,C,D,E



PASTRY CASE - 37" D

LAYOUT EXAMPLES

Finish: Grey



21' 1/4" L Pastry Case Line-up shown:
CSFL-031-02C (LH Case, 3 Door)
CSFL-031-02B (Center Case, 3 Door)
CSFL-031-03B (Center Case, 4 Door)
CSFL-031-03D (RH Case, 4 Door)

Finish: Natural Maple



10' 3/4" L Pastry Case w/ Ledge Line-up shown:
CSFL-031-01C (LH Case, 2 Door)
CSFL-031-02B (Center Case, 3 Door)
CSFL-031-01D (RH Case, 2 Door)

Applications

- Case modules can be joined together to create a seamless lineup
- Two door, three door and four door cases available
- Matching modular bakery wall shelving available
- Adjustable shelving designed for 18" x 26" bakery trays (trays not included)

TWO DOOR PASTRY CASE - 37" D

CSFL-031-01E



CSFL-031-01C



MODEL	DESCRIPTION	LENGTH	DEPTH	HEIGHT
CSFL-031-01E	Pastry Case (LH/RH Gables)	38"	37"	82"
CSFL-031-01C	Pastry Case (LH Gable)	37 ¼"	37"	82"
CSFL-031-01B	Centre Pastry Case (No Gables)	36 ½"	37"	82"
CSFL-031-01D	Pastry Case (RH Gable)	37 ¼"	37"	82"

FEATURES:

- Birch/maple plywood, melamine & solid maple construction, mirror back and interior gables
- Standard stain exterior finish
- Tempered glass doors with soft closing stop
- Stainless Steel Sani legs & removable kicks
- 1 ½" black ABS bumper
- Metal adjustable shelves with ticket mold - 20° angle (designed to hold standard 18" x 26" baking tray)
- LED lighting and fans in canopy
- LED lighting under top 3 shelves
- Tissue paper holder (6 ½" x 7" x 2 ⅝"D) & garbage bin
- Modules can be joined to create a longer seamless lineup

OPTIONS:

- Door closers
- 1" McCue bumper
- Standard & premium exterior laminates

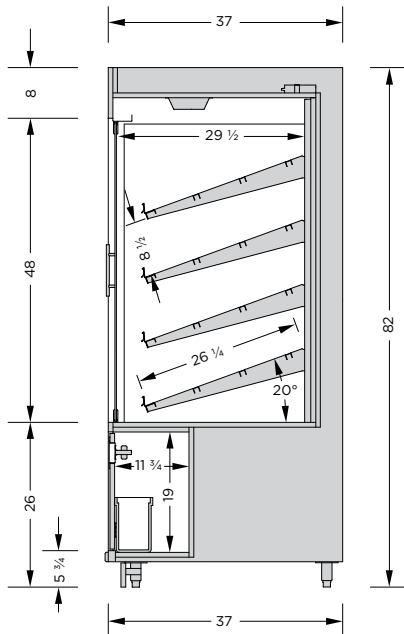
Note: Information and specifications may change due to engineering improvements.



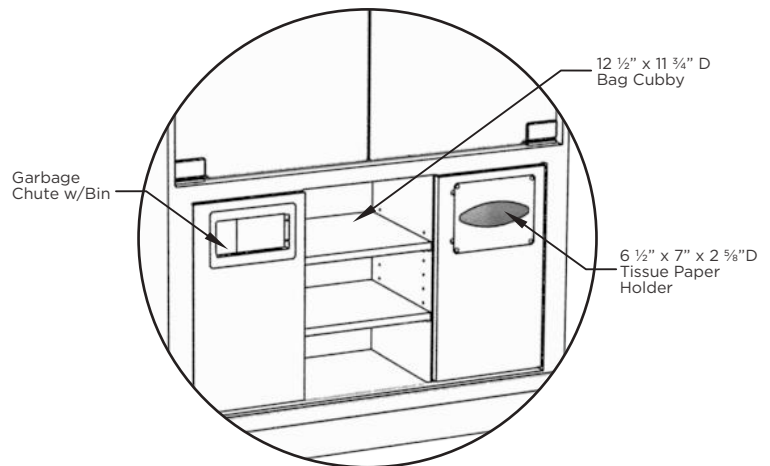
CSFL-031-01B



CSFL-031-01D



CSFL-031-01B,C,D,E



THREE DOOR PASTRY CASE - 37" D

CSFL-031-02E



CSFL-031-02C



CSFL-031-02B



CSFL-031-02D

MODEL	DESCRIPTION	LENGTH	DEPTH	HEIGHT
CSFL-031-02E	Pastry Case (LH/ RH Gables)	56 ¼"	37"	82"
CSFL-031-02C	Pastry Case (LH Gable)	55 ½"	37"	82"
CSFL-031-02B	Centre Pastry Case (No Gables)	54 ¾"	37"	82"
CSFL-031-02D	Pastry Case (RH Gable)	55 ½"	37"	82"

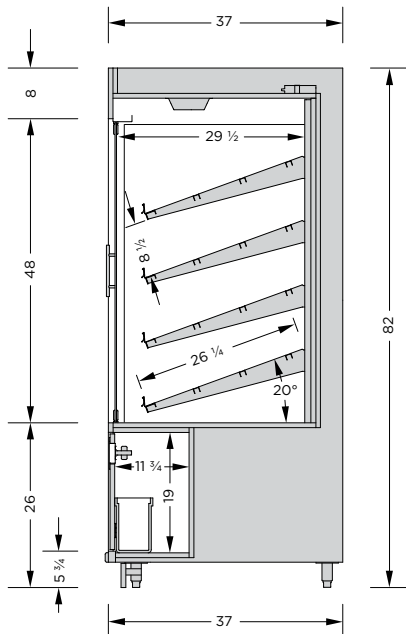
FEATURES:

- Birch/maple plywood, melamine & solid maple construction, mirror back and interior gables
- Standard stain exterior finish
- Tempered glass doors with soft closing stop
- Stainless Steel Sani legs & removable kicks
- 1 ½" black ABS bumper
- Metal adjustable shelves with ticket mold - 20° angle (designed to hold standard 18" x 26" baking tray)
- LED lighting and fans in canopy
- LED lighting under top 3 shelves
- Tissue paper holder (6 ½" x 7" x 2 ⅝"D) & garbage bin
- Modules can be joined to create a longer seamless lineup

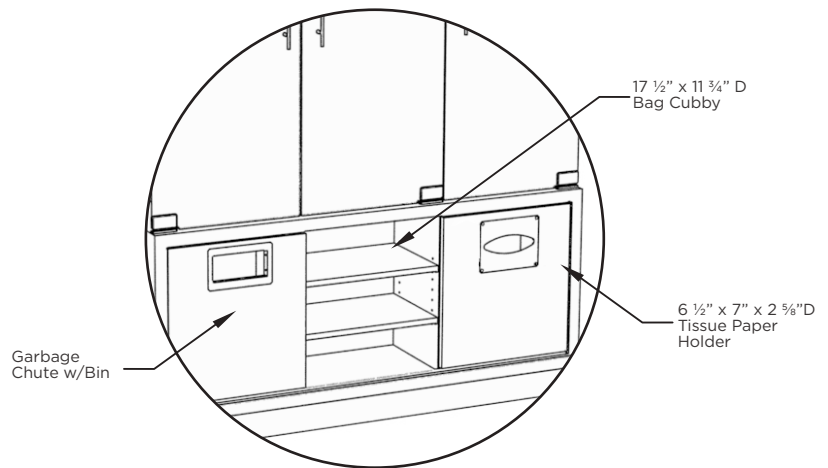
OPTIONS:

- Door closers
- 1" McCue bumper
- Standard & premium exterior laminates

Note: Information and specifications may change due to engineering improvements.



CSFL-031-02B,C,D,E



FOUR DOOR PASTRY CASE - 37" D

CSFL-031-03E



CSFL-031-03C



CSFL-031-03B



CSFL-031-03D

MODEL	DESCRIPTION	LENGTH	DEPTH	HEIGHT
CSFL-031-03E	Pastry Case (LH/ RH Gables)	74 1/2"	37"	82"
CSFL-031-03C	Pastry Case (LH Gable)	73 3/4"	37"	82"
CSFL-031-03B	Centre Pastry Case (No Gables)	73"	37"	82"
CSFL-031-03D	Pastry Case (RH Gable)	73 3/4"	37"	82"

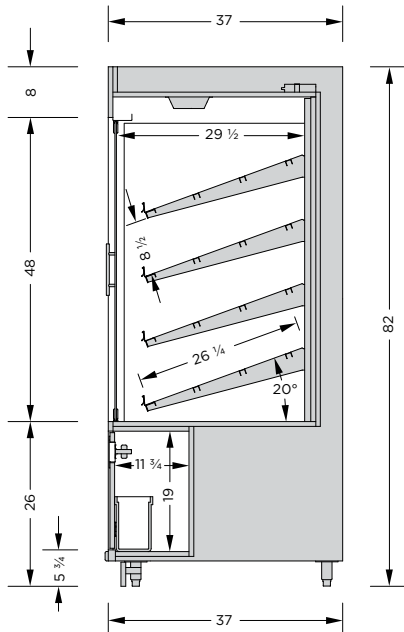
FEATURES:

- Birch/maple plywood, melamine & solid maple construction, mirror back and interior gables
- Standard stain exterior finish
- Tempered glass doors with soft closing stop
- Stainless Steel Sani legs & removable kicks
- 1 1/2" black ABS bumper
- Metal adjustable shelves with ticket mold - 20° angle (designed to hold standard 18" x 26" baking tray)
- LED lighting and fans in canopy
- LED lighting under top 3 shelves
- Tissue paper holder (6 1/2" x 7" x 2 5/8"D) & garbage bin
- Modules can be joined to create a longer seamless lineup

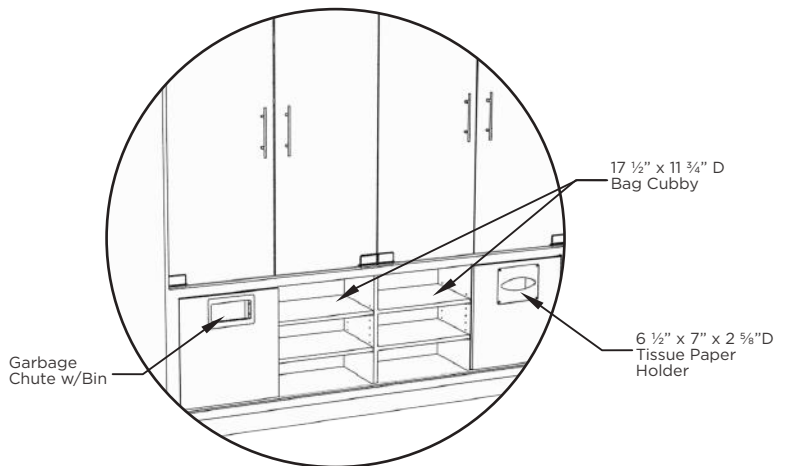
OPTIONS:

- Door closers
- 1" McCue bumper
- Standard & premium exterior laminates

Note: Information and specifications may change due to engineering improvements.



CSFL-031-03B,C,D,E



TWO DOOR STAND-ALONE PASTRY CASE W/ LEDGE - 43" D



Clear finish shown



Select Cherry finish shown. Other finishes available - see chart.

MODEL	DESCRIPTION	LENGTH	DEPTH	HEIGHT
CSFL-032-01B	Pastry Case (LH/RH Gables) - 3'	38"	42 3/4"	82"

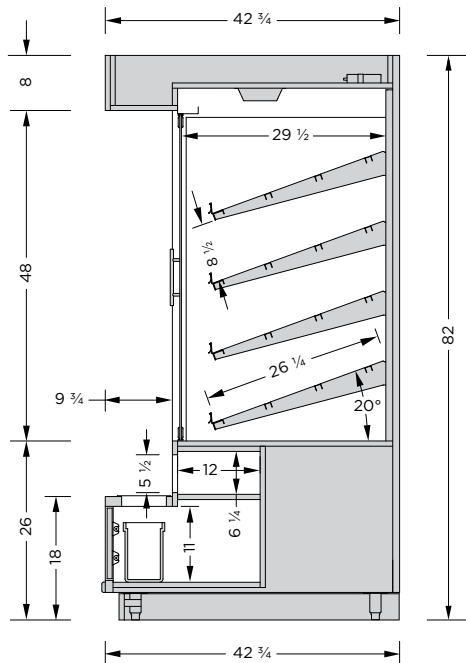
FEATURES:

- Birch/maple plywood, melamine & solid maple construction, mirror back and interior gables
- Standard stain exterior finish & laminate ledge counter
- Tempered glass doors with soft closing stop
- Stainless Steel Sani legs & removable kicks
- 1 1/2" black ABS bumper
- Metal adjustable shelves with ticket mold - 20° angle (designed to hold standard 18" x 26" baking tray)
- LED lighting and fans in canopy
- LED lighting under top 3 shelves
- Tissue paper holder (6 1/2" x 7" x 2 5/8"D) & garbage bin in ledge

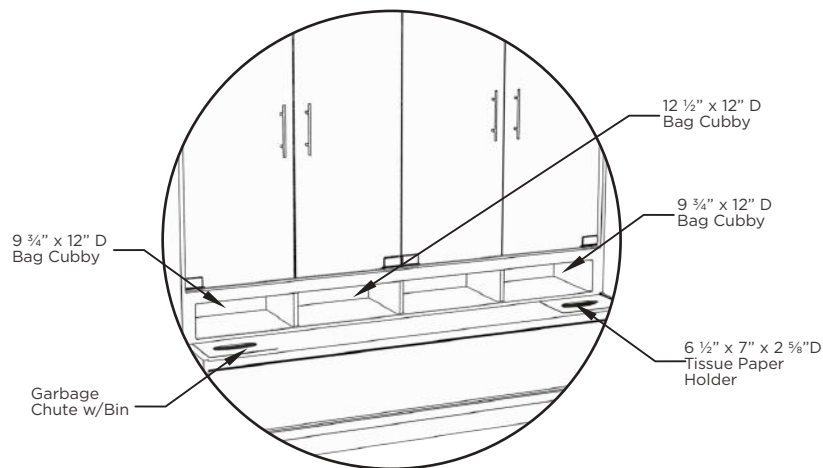
OPTIONS:

- Door closers
- 1" McCue bumper
- Standard & premium exterior laminates
- Stainless, solid surface or stone counters

Note: Information and specifications may change due to engineering improvements.



CSFL-032-01B



THREE DOOR STAND-ALONE PASTRY CASE W/ LEDGE - 43" D



MODEL	DESCRIPTION	LENGTH	DEPTH	HEIGHT
CSFL-032-02B	Pastry Case (LH/RH Gables) - 4'	56 1/8"	42 3/4"	82"

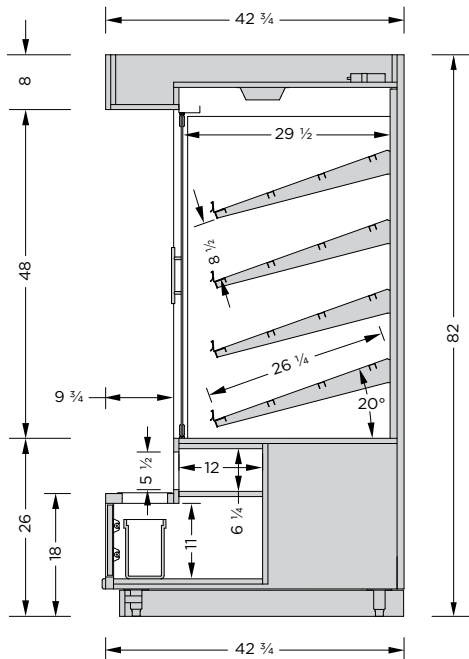
FEATURES:

- Birch/maple plywood, melamine & solid maple construction, mirror back and interior gables
- Standard stain exterior finish & laminate ledge counter
- Tempered glass doors with soft closing stop
- Stainless Steel Sani legs & removable kicks
- 1 1/2" black ABS bumper
- Metal adjustable shelves with ticket mold - 20° angle (designed to hold standard 18" x 26" baking tray)
- LED lighting and fans in canopy
- LED lighting under top 3 shelves
- Tissue paper holder (6 1/2" x 7" x 2 5/8"D) & garbage bin in ledge

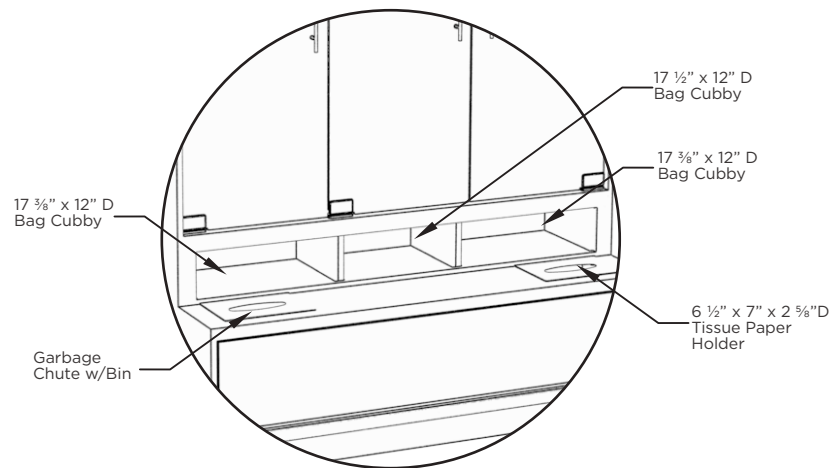
OPTIONS:

- Door closers
- 1" McCue bumper
- Standard & premium exterior laminates
- Stainless, solid surface or stone counters

Note: Information and specifications may change due to engineering improvements.



CSFL-032-02B



FOUR DOOR STAND-ALONE PASTRY CASE W/ LEDGE - 43" D



Clear finish shown



Grey finish shown.
Other finishes available
- see chart.

MODEL	DESCRIPTION	LENGTH	DEPTH	HEIGHT
CSFL-032-03B	Pastry Case (LH/ RH Gables) - 6'	74 1/2"	42 3/4"	82"

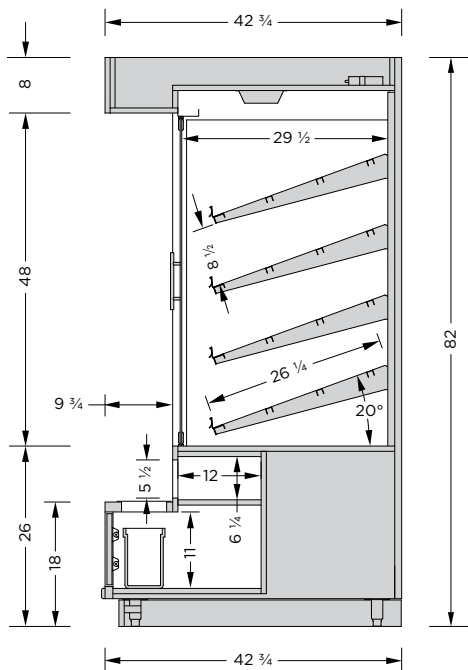
FEATURES:

- Birch/maple plywood, melamine & solid maple construction, mirror back and interior gables
- Standard stain exterior finish & laminate ledge counter
- Tempered glass doors with soft closing stop
- Stainless Steel Sani legs & removable kicks
- 1 1/2" black ABS bumper
- Metal adjustable shelves with ticket mold - 20° angle (designed to hold standard 18" x 26" baking tray)
- LED lighting and fans in canopy
- LED lighting under top 3 shelves
- Tissue paper holder (6 1/2" x 7" x 2 5/8"D) & garbage bin in ledge

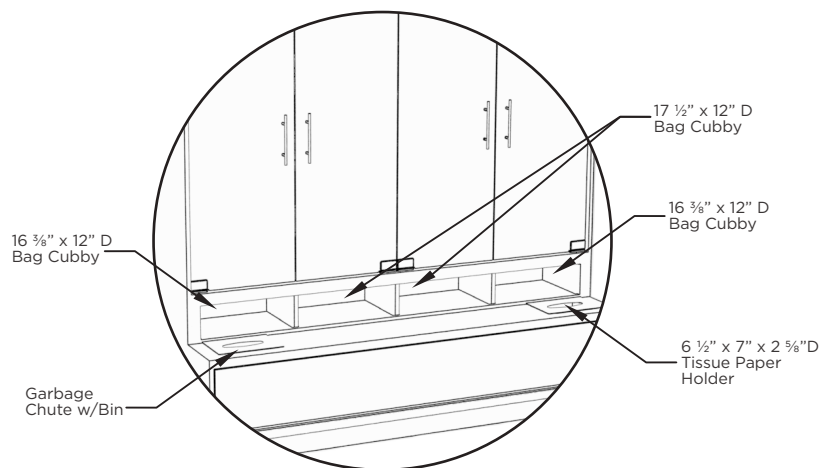
OPTIONS:

- Door closers
- 1" McCue bumper
- Standard & premium exterior laminates
- Stainless, solid surface or stone counters

Note: Information and specifications may change due to engineering improvements.



CSFL-032-03B



TWO DOOR STAND-ALONE PASTRY CASE - 33" D



Clear finish shown



Grey finish shown. Other finishes available - see chart.

MODEL	DESCRIPTION	LENGTH	DEPTH	HEIGHT
CSFL-033-01B	Pastry Case (LH/RH Gables) - 3'	38"	33"	82"

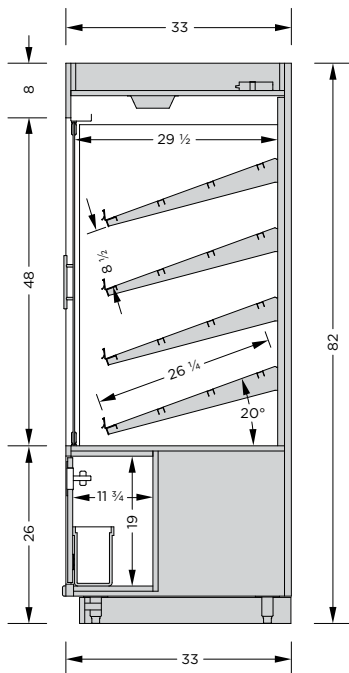
FEATURES:

- Birch/maple plywood, melamine & solid maple construction, mirror back and interior gables
- Standard stain exterior finish
- Tempered glass doors with soft closing stop
- Stainless Steel Sani legs & removable kicks
- 1 1/2" black ABS bumper
- Metal adjustable shelves with ticket mold - 20° angle (designed to hold standard 18" x 26" baking tray)
- LED lighting and fans in canopy
- LED lighting under top 3 shelves
- Tissue paper holder (6 1/2" x 7" x 2 5/8"D) & garbage bin in ledge

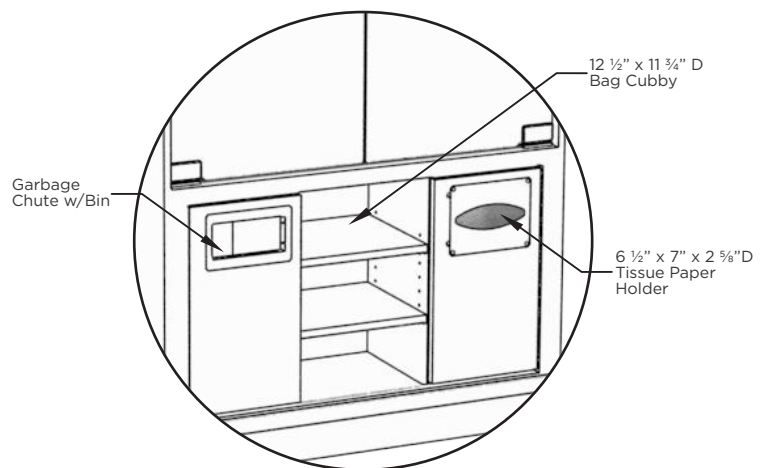
OPTIONS:

- Door closers
- 1" McCue bumper
- Standard & premium exterior laminates

Note: Information and specifications may change due to engineering improvements.



CSFL-033-01B



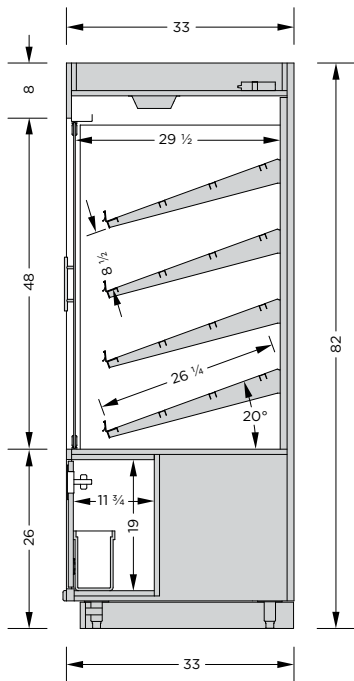
THREE DOOR STAND-ALONE PASTRY CASE - 33" D



Clear finish shown



Weathered Wood finish shown. Other finishes available - see chart.



CSFL-033-02B

MODEL	DESCRIPTION	LENGTH	DEPTH	HEIGHT
CSFL-033-02B	Pastry Case (LH/RH Gables) - 4'	56 1/4"	33"	82"

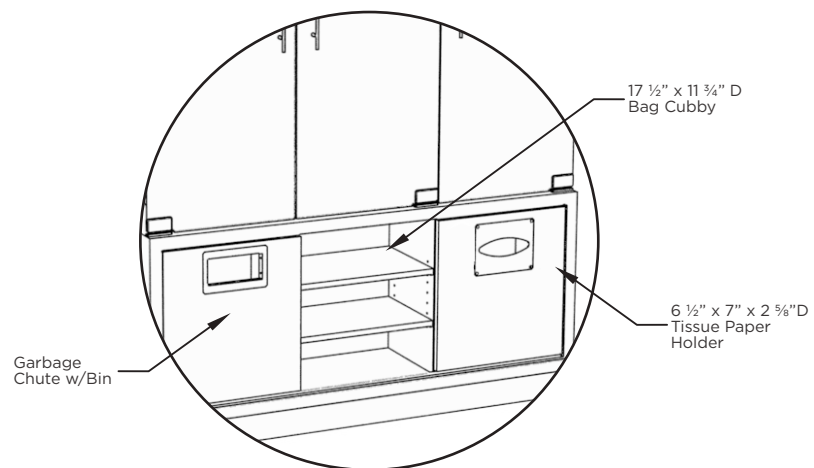
FEATURES:

- Birch/maple plywood, melamine & solid maple construction, mirror back and interior gables
- Standard stain exterior finish
- Tempered glass doors with soft closing stop
- Stainless Steel Sani legs & removable kicks
- 1 1/2" black ABS bumper
- Metal adjustable shelves with ticket mold - 20° angle (designed to hold standard 18" x 26" baking tray)
- LED lighting and fans in canopy
- LED lighting under top 3 shelves
- Tissue paper holder (6 1/2" x 7" x 2 5/8"D) & garbage bin in ledge

OPTIONS:

- Door closers
- 1" McCue bumper
- Standard & premium exterior laminat

Note: Information and specifications may change due to engineering improvements.



FOUR DOOR STAND-ALONE PASTRY CASE - 33" D



Clear finish shown



Oiled Cherry finish shown. Other finishes available - see chart.

MODEL	DESCRIPTION	LENGTH	DEPTH	HEIGHT
CSFL-033-03B	Pastry Case (LH/RH Gables) - 6'	74 1/2"	33"	82"

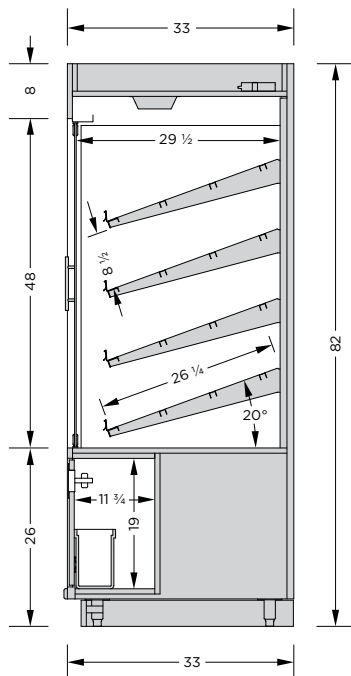
FEATURES:

- Birch/maple plywood, melamine & solid maple construction, mirror back and interior gables
- Standard stain exterior finish
- Tempered glass doors with soft closing stop
- Stainless Steel Sani legs & removable kicks
- 1 1/2" black ABS bumper
- Metal adjustable shelves with ticket mold - 20° angle (designed to hold standard 18" x 26" baking tray)
- LED lighting and fans in canopy
- LED lighting under top 3 shelves
- Tissue paper holder (6 1/2" x 7" x 2 5/8"D) & garbage bin in ledge

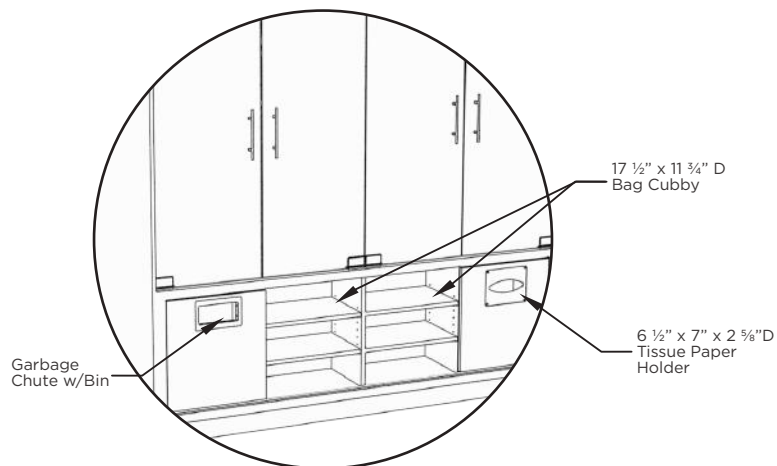
OPTIONS:

- Door closers
- 1" McCue bumper
- Standard & premium exterior laminates

Note: Information and specifications may change due to engineering improvements.



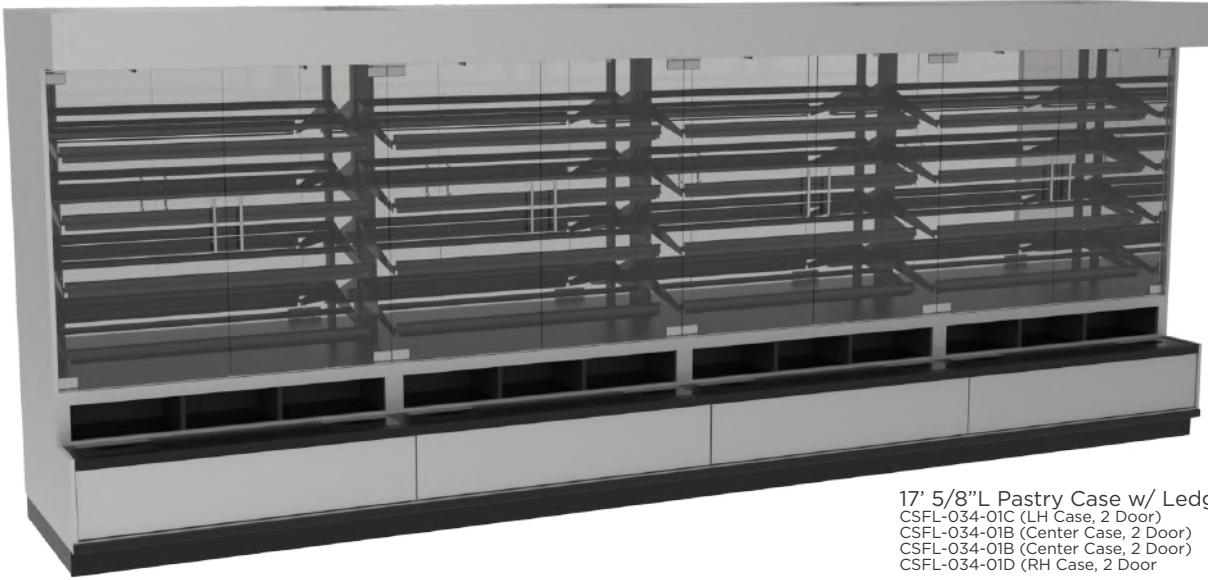
CSFL-033-03B



PASTRY CASE W/LEDGE - 39" D

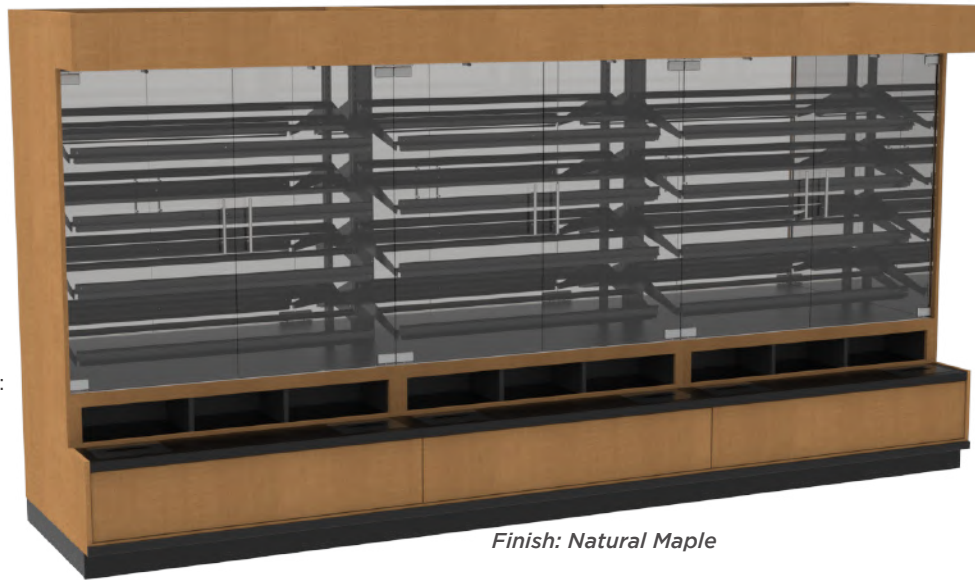
LAYOUT EXAMPLES

Finish: Grey



17' 5/8"L Pastry Case w/ Ledge Line-up shown:
CSFL-034-01C (LH Case, 2 Door)
CSFL-034-01B (Center Case, 2 Door)
CSFL-034-01B (Center Case, 2 Door)
CSFL-034-01D (RH Case, 2 Door)

13' 1/4"L Pastry Case w/ Ledge Line-up shown:
CSFL-034-01C (LH Case, 2 Door)
CSFL-034-01B (Center Case, 2 Door)
CSFL-034-01D (RH Case, 2 Door)



Finish: Natural Maple

Applications

- Case modules can be joined together to create a seamless lineup
- Two door, three door and four door cases available
- Matching modular bakery wall shelving available
- Adjustable shelving designed for 18" x 26" bakery trays (trays not included)

TWO DOOR PASTRY CASE W/ LEDGE - 39" D

CSFL-034-01E



CSFL-034-01C



CSFL-034-01B



CSFL-034-01D

MODEL	DESCRIPTION	LENGTH	DEPTH	HEIGHT
CSFL-034-01E	Pastry Case (LH/ RH Gables)	54"	38 ¾"	82"
CSFL-034-01C	Pastry Case (LH Gable)	53 ¼"	38 ¾"	82"
CSFL-034-01B	Centre Pastry Case (No Gables)	52 ½"	38 ¾"	82"
CSFL-034-01D	Pastry Case (RH Gable)	53 ¼"	38 ¾"	82"

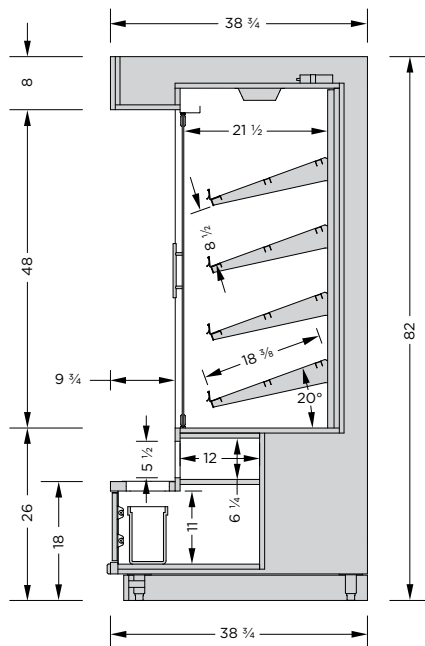
FEATURES:

- Birch/maple plywood, melamine & solid maple construction, mirror back and interior gables
- Standard stain exterior finish & laminate ledge counter
- Tempered glass doors with soft closing stop
- Stainless Steel Sani legs & removable kicks
- 1 ½" black ABS bumper
- Metal adjustable shelves with ticket mold - 20° angle (designed to hold standard 18" x 26" baking tray)
- LED lighting and fans in canopy
- LED lighting under top 3 shelves
- Tissue paper holder (6 ½" x 7" x 2 ⅝"D) & garbage bin in ledge
- Modules can be joined to create a longer seamless lineup

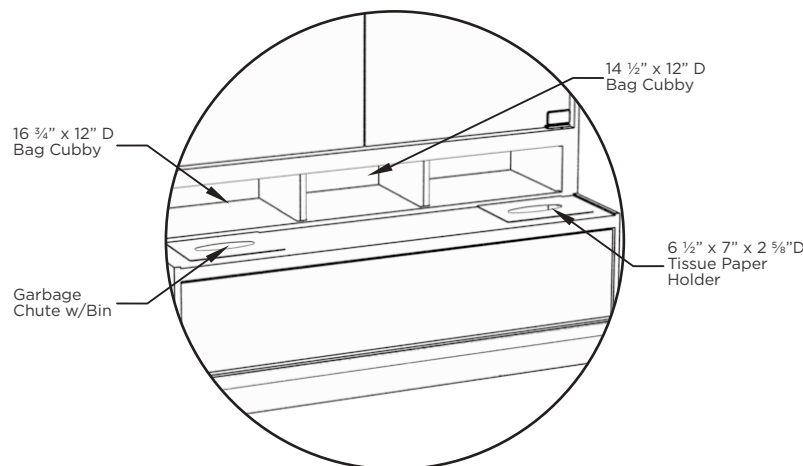
OPTIONS:

- Door closers
- 1" McCue bumper
- Standard & premium exterior laminates
- Stainless, solid surface or stone counters

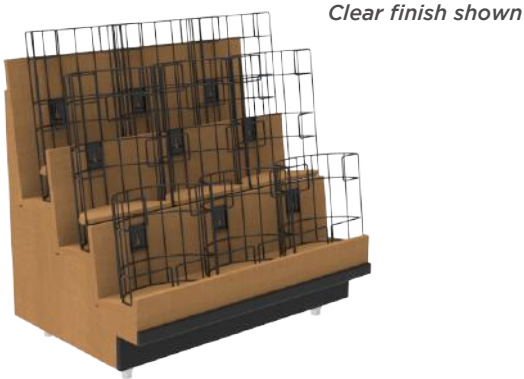
Note: Information and specifications may change due to engineering improvements.



CSFL-034-01B,C,D,E



BAGUETTE DISPLAY



MODEL	DESCRIPTION	LENGTH	DEPTH	HEIGHT
SDBG-002-01C	Baguette Display - 3 Tiered	36"	25"	37 5/8"

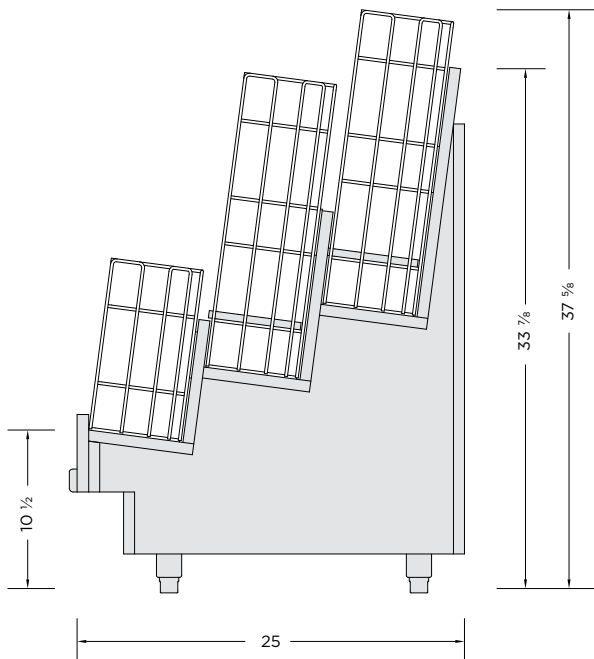
FEATURES:

- Birch/maple plywood and solid maple construction
- Levelers
- Metal baguette baskets (3 half height and 6 full height)
- 1 1/2" ABS bumper

OPTIONS:

- Refer to Wood Stains Finishes

Note: Information and specifications may change due to engineering improvements.



SDBG-002-01C

BULK BUN/PASTRY CASE

SINGLE SIDED, FRONT LOADING



MODEL	DESCRIPTION	LENGTH	DEPTH	HEIGHT
CSFL-022-01B	Bulk Bun/Pastry Case- Single Sided	52"	35"	60 1/2"

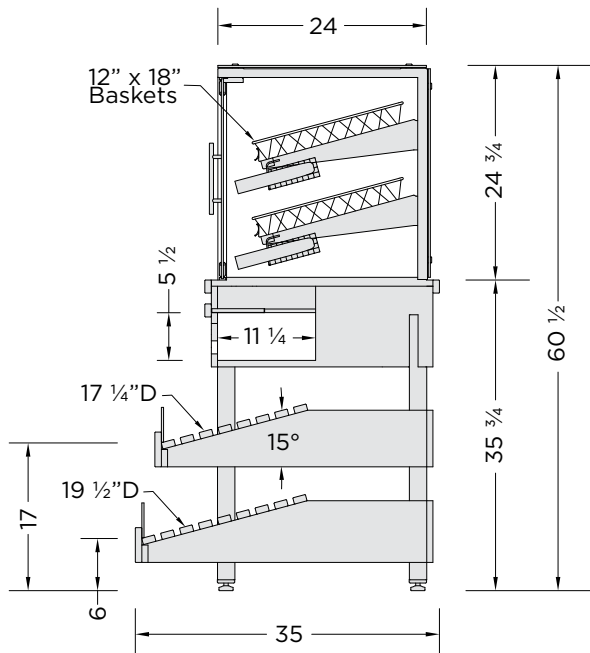
FEATURES:

- Birch/maple plywood, metal, glass & solid maple construction
- Metal shelves w/ baskets, tong holder, tongs & tether cords
- 8 @ 12" x 18" wire baskets
- Levelers
- Metal crumb tray
- Corner guards
- Fixes bottom shelves w/removable acrylic product stops
- Inset bag holders (6 1/4" x 11" Paper Bags)

OPTIONS:

- Refer to Wood Stains Finishes

Note: Information and specifications may change due to engineering improvements.



CSFL-022-01B

BULK BUN/PASTRY CASE

DOUBLE SIDED



Clear finish shown



Oiled Cherry finish shown. Other finishes available - see chart.

MODEL	DESCRIPTION	LENGTH	DEPTH	HEIGHT
CSSA-005-01B	Bulk Bun/Pastry Case - Double Sided	52"	68 ½"	61 ½"

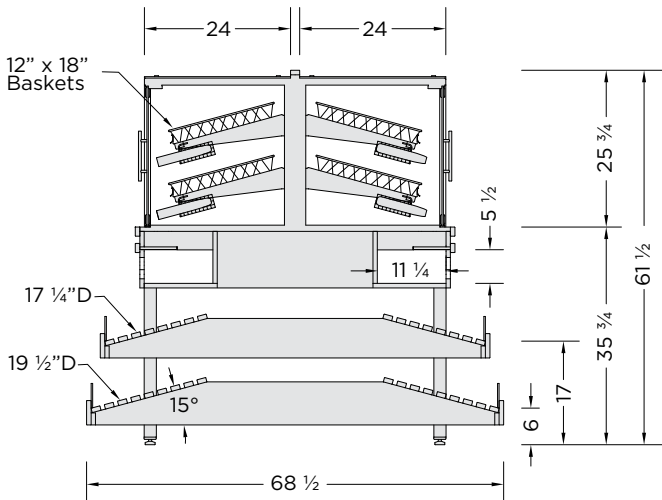
FEATURES:

- Birch/maple plywood, mirrored back, metal, glass & solid maple construction
- Metal shelves w/ baskets, tong holder, tongs & tether cords
- 16 @ 12" x 18" wire baskets
- Levelers
- Metal crumb tray
- Corner guards
- Fixes bottom shelves w/removable acrylic product stops
- Inset bag holders (6 ¼" x 11" Paper Bags)

OPTIONS:

- Refer to Wood Stains Finishes

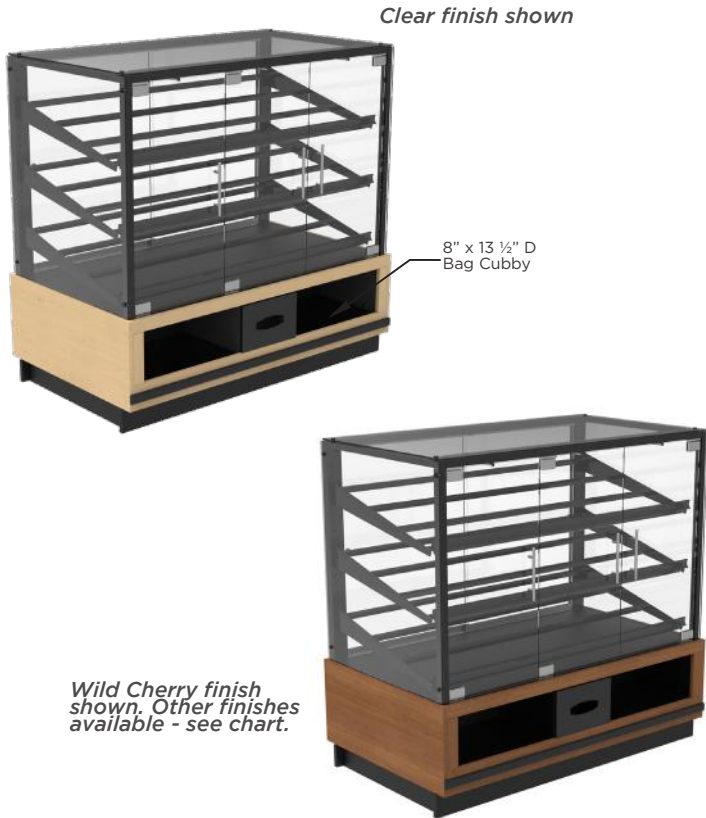
Note: Information and specifications may change due to engineering improvements.



CSSA-005-01B

PASTRY & DOUGHNUT CASE

REAR LOADING



Wild Cherry finish shown. Other finishes available - see chart.

MODEL	DESCRIPTION	LENGTH	DEPTH	HEIGHT
CSRL-014-01E	Pastry & Doughnut Case - 2 Door, Rear Loading	38"	32"	54"
CSRL-014-02E	Pastry & Doughnut Case - 3 Door, Rear Loading	56 ¼"	32"	54"

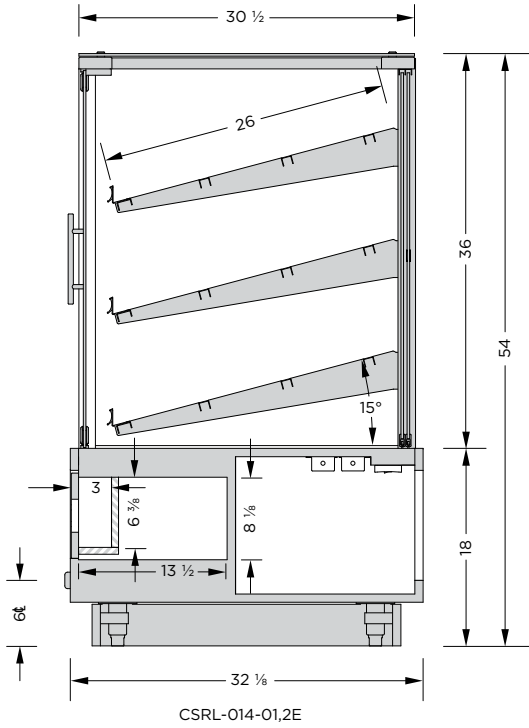
FEATURES:

- Birch/maple plywood, melamine, tempered glass & metal construction
- Rear sliding glass doors
- Shelves sit on a 15° angle
- Base Storage
- Tissue Dispenser
- LED lighting
- Levelers
- ABS bumper
- Designed for: 12 @ 9" x 26" trays for 38"L
18 @ 9" x 26" trays for 56"L

OPTIONS:

- Can be a stand alone or line-up display
- Corner guards
- Refer to Wood Stains Finishes

Note: Information and specifications may change due to engineering improvements.



CSRL-014-01,2E

PASTRY & DOUGHNUT CASE

FRONT LOADING

Clear finish shown



Select Cherry finish shown. Other finishes available - see chart.

MODEL	DESCRIPTION	LENGTH	DEPTH	HEIGHT
CSFL-050-01E	Pastry & Doughnut Case - 2 Door, Front Loading	38"	32"	54"
CSFL-050-02E	Pastry & Doughnut Case - 3 Door, Front Loading	56 ¼"	32"	54"

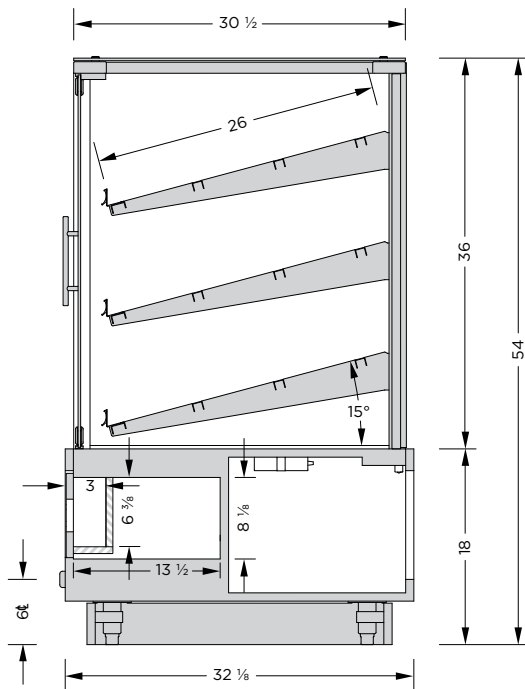
FEATURES:

- Birch/maple plywood, melamine, tempered glass & metal construction
- Mirrored back
- Shelves sit on a 15° angle
- Base Storage
- Tissue Dispenser
- LED lighting
- Levelers
- ABS bumper
- Designed for: 6 @ 18" x 26" trays for 38"L
9 @ 18" x 26" trays for 56"L

OPTIONS:

- Can be a stand alone or line-up display
- Corner guards
- Refer to Wood Stains Finishes

Note: Information and specifications may change due to engineering improvements.



CSFL-050-01,2E

COUNTERTOP SERVICE DISPLAYER

PASTRY & DOUGHNUT CASE

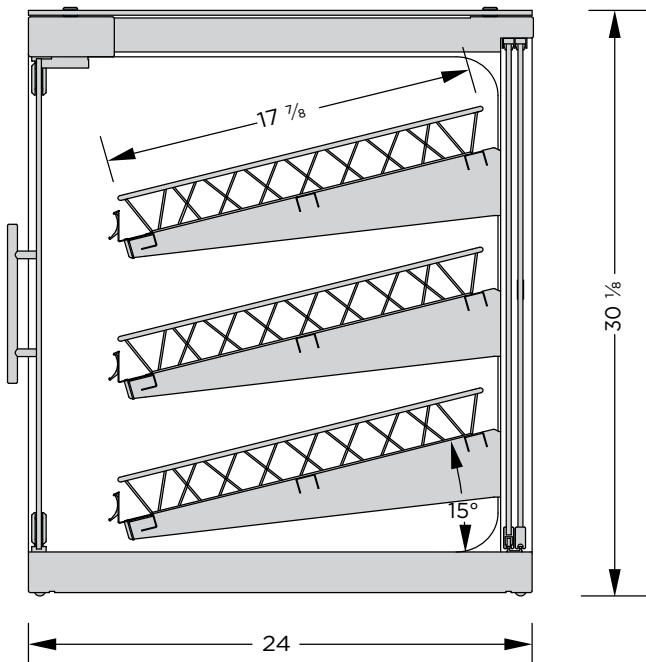


MODEL	DESCRIPTION	LENGTH	DEPTH	HEIGHT
SPCD-007-01B	Countertop Service Displayer	39"	24"	30 1/8"

FEATURES:

- Stainless Steel & tempered glass construction
- Rear sliding doors & LED lighting
- Shelves sit on a 15° angle
- 9 @ 18" x 12" wire baskets provided

Note: Information and specifications may change due to engineering improvements.



SPCD-007-01B

BUN BIN WITH BASE STORAGE TWO TIER



MODEL	DESCRIPTION	LENGTH	DEPTH	HEIGHT
BFBB-008-01C	Two Tier Bun Bin - Single Sided	49"	22 1/2"	46 1/2"
BFBB-009-01C	Two Tier Bun Bin - Double Sided	49"	45"	46 1/2"

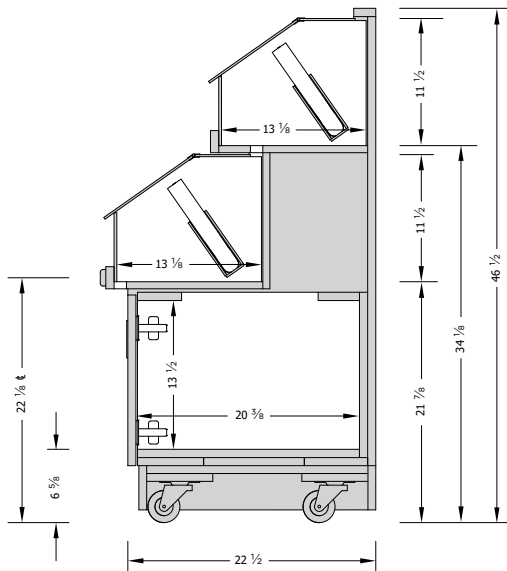
FEATURES:

- Birch/maple plywood, melamine & solid maple construction
- Non-locking casters & ABS bumper
- Acrylic bins with tong holder, tongs, tether cord
- Base storage

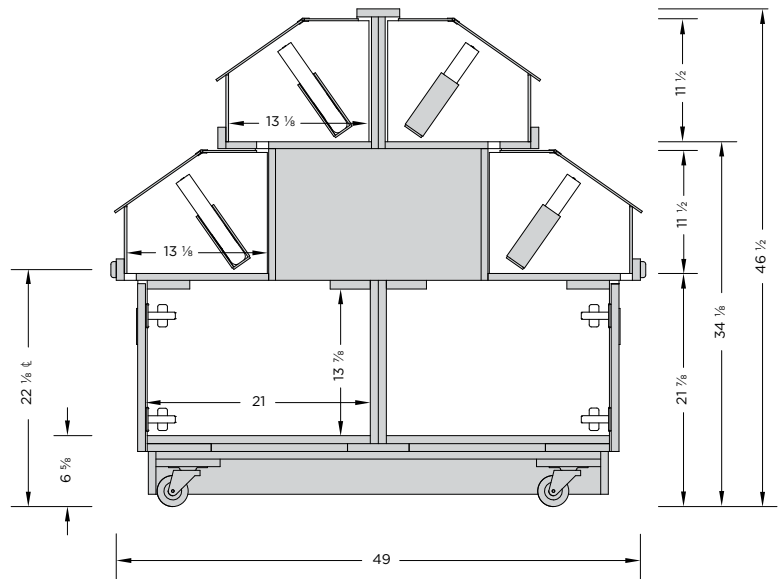
OPTIONS:

- Bag holder w/ tie cup
- Refer to Wood Stains Finishes

Note: Information and specifications may change due to engineering improvements.



BFBB-008-01C



BFBB-009-01C

TIERED MERCHANDISING TABLE



Clear finish shown



Oiled Cherry finish w/
optional cornerguards
and bumper shown. Other
finishes available - see
chart.

MODEL	DESCRIPTION	LENGTH	DEPTH	HEIGHT
TBIM-015-01B	Tiered Merchandising Table - Small	30"	30"	54 ¼"
TBIM-015-02B	Tiered Merchandising Table - Large	47 ½"	30"	54 ¼"

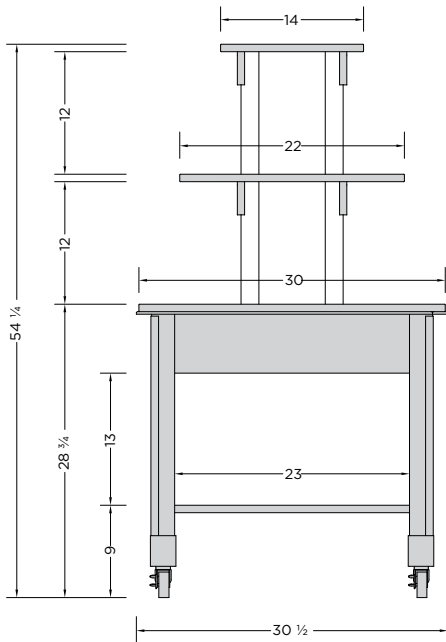
FEATURES:

- Birch/maple plywood & solid maple construction
- Locking casters
- Protective leg caps

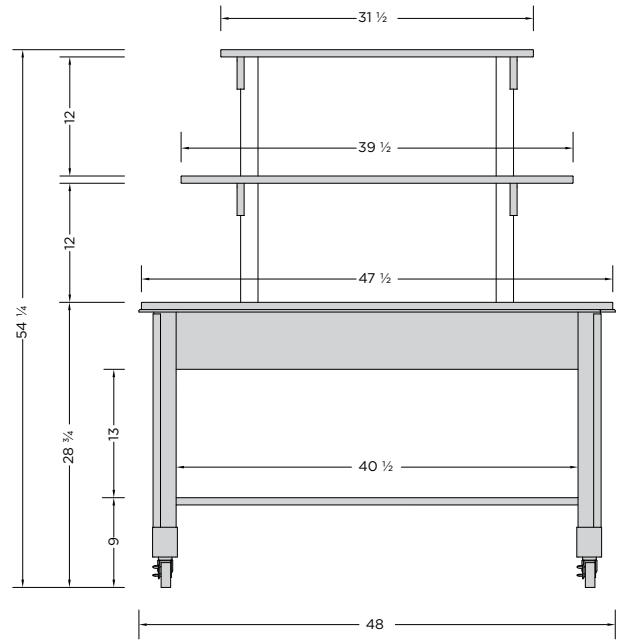
OPTIONS:

- Corner guards & ABS bumper
- Refer to Wood Stains Finishes

Note: Information and specifications may change due to engineering improvements.

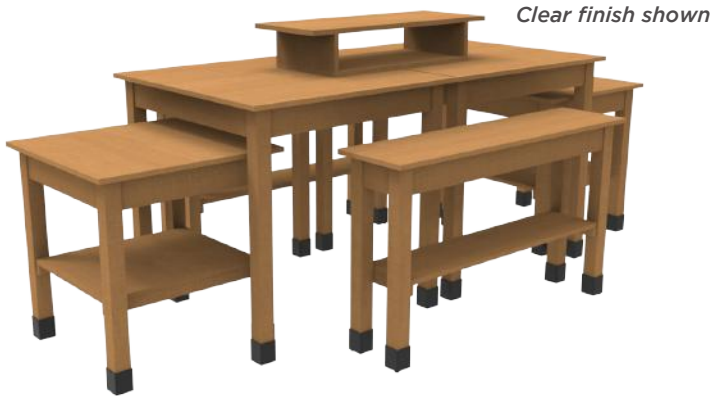


TBIM-015-01B



TBIM-015-02B

NESTING TABLE SET 7 PIECE



*Weathered Wood finish
w/optional corner guards
& bumper shown. Other
finishes available - see
chart.*

MODEL	DESCRIPTION	LENGTH	DEPTH	HEIGHT
TBST-012-01J	7 Piece Nesting Table Set			
TBHV-027-01E	Nesting Table - Large	36"	36"	35 1/2"
TBHV-028-01E	Nesting Table with Shelf - Small	27"	27"	28 1/2"
TBHV-029-01E	Bench Table with Shelf	47 3/8"	12"	28 1/2"
ACRI-006-01A	Riser	36"	14"	7"

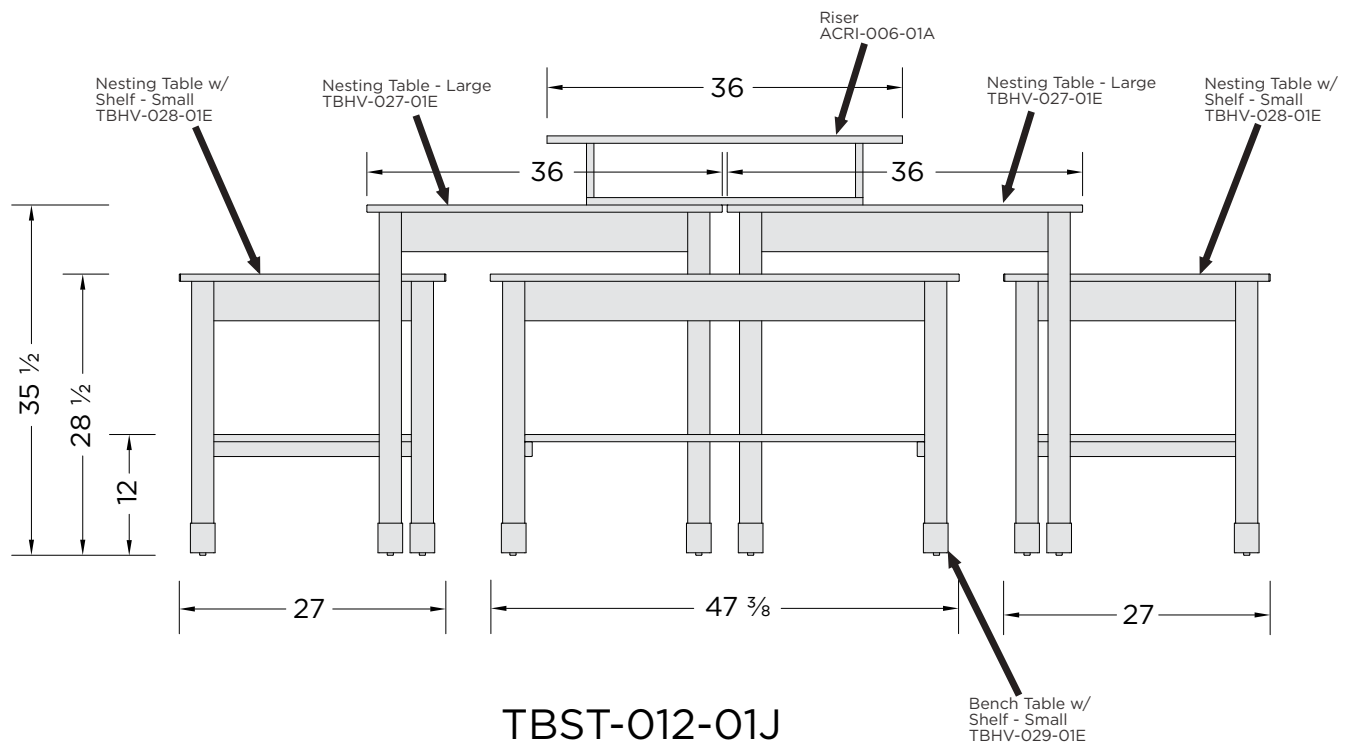
FEATURES:

- Birch/maple plywood & solid maple construction
- Nylon glide
- Protective leg caps
- Fixed base shelf on side tables

OPTIONS:

- Corner guards & ABS bumper
- Refer to Wood Stains Finishes

Note: Information and specifications may change due to engineering improvements.



NESTING TABLE SET 3 PIECE



MODEL	DESCRIPTION	LENGTH	DEPTH	HEIGHT
TBST-011-01K	3 Piece Nesting Table Set			
TBHV-030-01E	Nesting Table - Large	47 ½"	23 ½"	36"
TBHV-031-01E	Nesting Table w/ Shelf - Small	39 ½"	18 ½"	30"

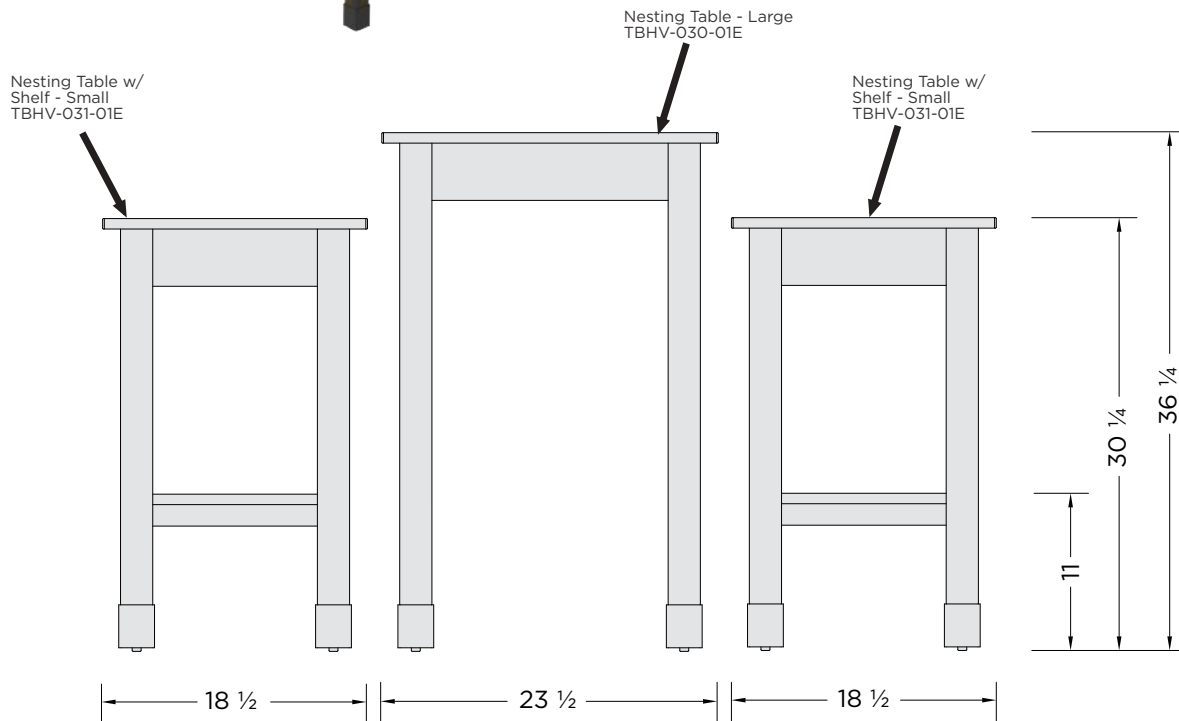
FEATURES:

- Birch/maple plywood & solid maple construction
- Nylon glide
- Protective leg caps
- Fixed base shelf on side tables

OPTIONS:

- Corner guards & ABS bumper
- Refer to Wood Stains Finishes

Note: Information and specifications may change due to engineering improvements.



TBST-011-01K

STEPPED NESTING TABLE SET 5 PIECE

Clear finish shown



Select Cherry finish w/
optional corner guards &
bumper shown. Other
finishes available - see
chart.

MODEL	DESCRIPTION	LENGTH	DEPTH	HEIGHT
TBST-011-01M	5 Piece Nesting Table Set			
TBHV-030-01E	Nesting Table - Large	47 1/2"	23 1/2"	36"
TBHV-035-01E	Nesting Table - Medium	38 1/2"	23 1/2"	29 3/4"
TBHV-046-01E	Nesting Table - Small	29 1/2"	23 1/2"	23 1/2"

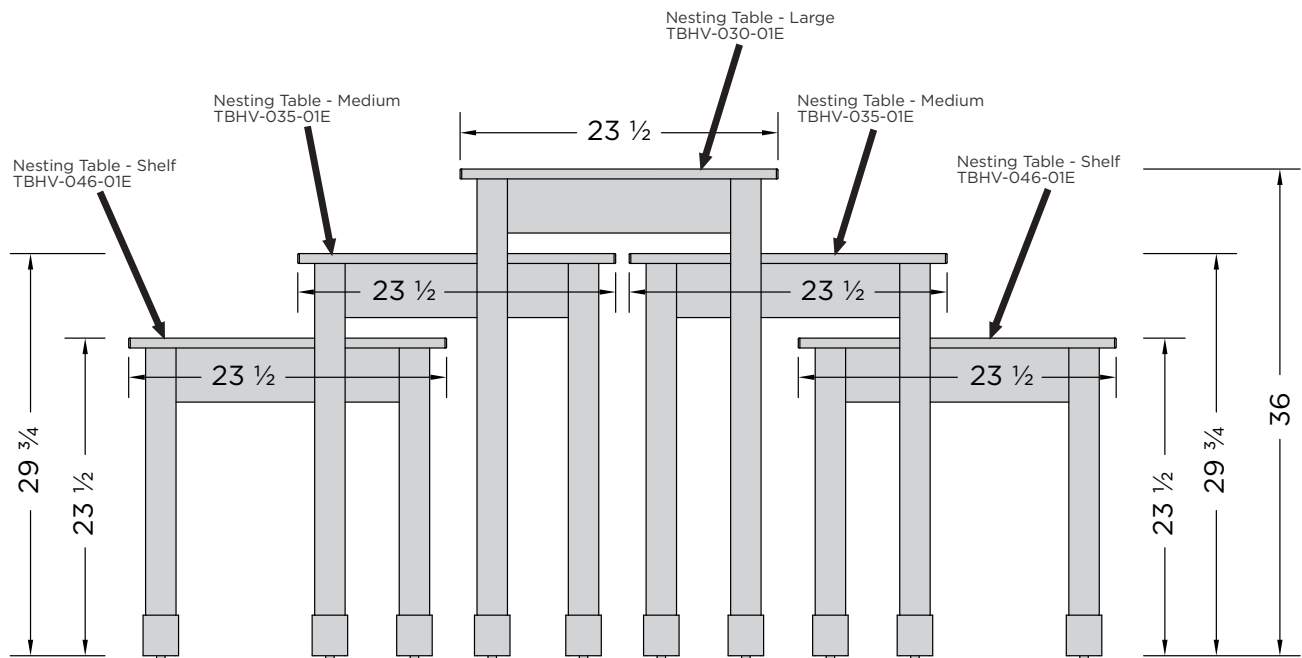
FEATURES:

- Birch/maple plywood & solid maple construction
- Nylon glide
- Protective leg caps
- Fixed base shelf on side tables

OPTIONS:

- Corner guards & ABS bumper
- Refer to Wood Stains Finishes

Note: Information and specifications may change due to engineering improvements.



TBST-011-01M

STEPPED NESTING TABLE SET 4 PIECE



MODEL	DESCRIPTION	LENGTH	DEPTH	HEIGHT
TBST-012-01K	4 Piece Nesting Table Set			
TBHV-034-01E	Nesting Table - Large	47 ½"	47 ½"	36"
TBHV-036-01E	Nesting Table with Shelf - Medium	38 ½"	23 ½"	30"
ACRI-007-01A	Riser	18"	12"	10"

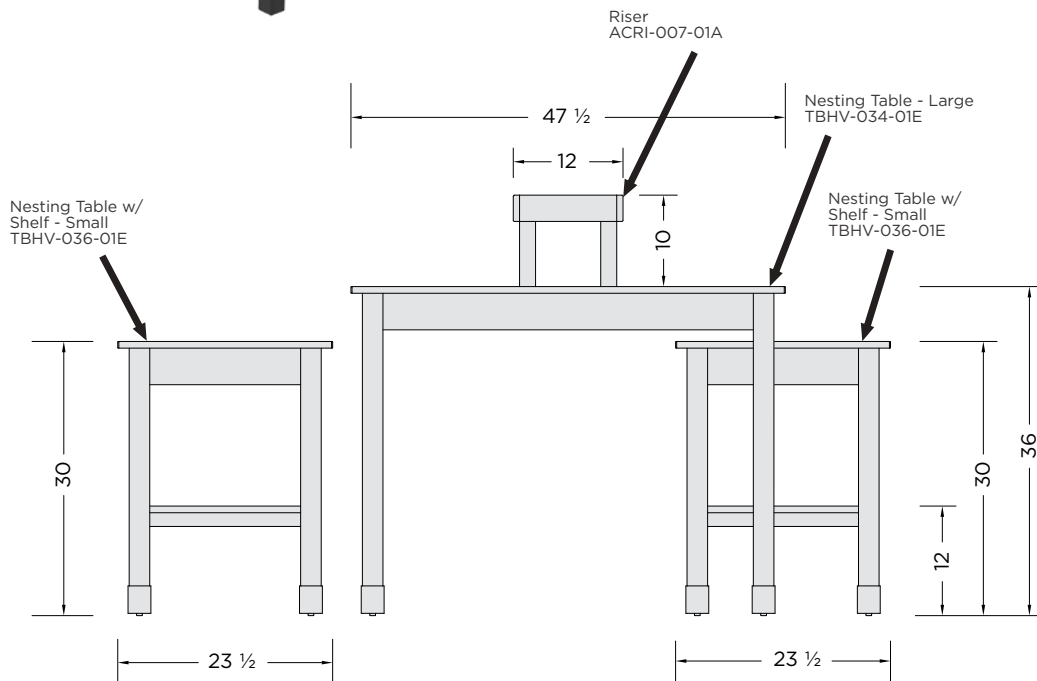
FEATURES:

- Birch/maple plywood & solid maple construction
- Nylon glide
- Protective leg caps
- Fixed base shelf on side tables

OPTIONS:

- Corner guards & ABS bumper
- Refer to Wood Stains Finishes

Note: Information and specifications may change due to engineering improvements.



TBST-012-01K

STEPPED NESTING TABLE SET 3 PIECE



Select Cherry finish w/
optional corner guards &
bumper shown. Other
finishes available - see
chart.

MODEL	DESCRIPTION	LENGTH	DEPTH	HEIGHT
TBST-011-01L	3 Piece Nesting Table Set			
TBHV-030-01E	Nesting Table - Large	47 ½"	23 ½"	36"
TBHV-035-01E	Nesting Table - Medium	38 ½"	23 ½"	29 ¾"
TBHV-046-01E	Nesting Table - Small	29 ½"	23 ½"	23 ½"

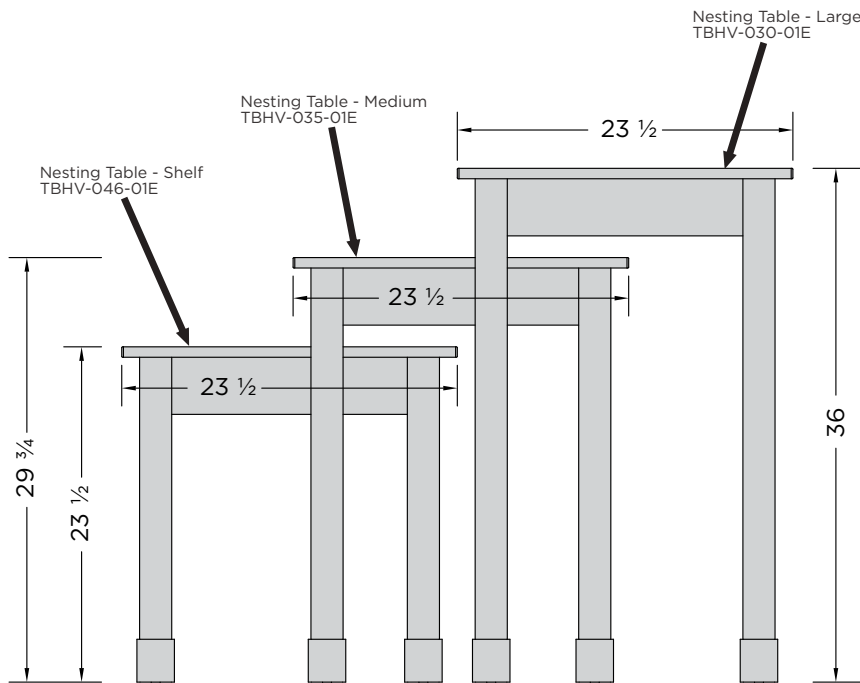
FEATURES:

- Birch/maple plywood & solid maple construction
- Nylon glide
- Protective leg caps

OPTIONS:

- Corner guards & ABS bumper
- Refer to Wood Stains Finishes

Note: Information and specifications may change due to engineering improvements.



TBST-011-01L

MARKET BIN

11' 11" L Market Bin w/ Base Merchandising shown:
 TBOR-060-01C (Market Bin)
 TBOR-063-01C (Market Bin w/Wire Cage)
 TBOR-063-01C (Market Bin w/Wire Cage)
 TBOR-060-01C (Market Bin)



Finish: Weathered Wood

5' 11 1/2" L Market Bin shown:
 TBOR-061-01C (Market Bin)
 TBOR-061-01C (Market Bin)
 TBOR-078-01B (Wing Table)



Finish: Select Cherry

Finish: Natural Maple



8' 11 1/4" L Market Bin w/ Base Merchandising shown:
 TBOR-062-01C (Market Bin w/ABS Liner)
 TBOR-079-01B (Wing Table w/ABS Liner)
 TBOR-079-01B (Wing Table w/ABS Liner)
 TBOR-063-01C (Market Bin w/ABS Liner)
 TBOR-063-01C (Market Bin w/ABS Liner)
 TBOR-079-01B (Wing Table w/ABS Liner)
 TBOR-079-01B (Wing Table w/ABS Liner)

Applications

- The market bin collection can be stand-alone, line-up or island configurations

MARKET BIN WITH BASE MERCHANDISING



Clear finish shown



Weathered Wood finish w/optional ABS Liner shown. Other finishes available - see chart.

MODEL	DESCRIPTION	LENGTH	DEPTH	HEIGHT
TBOR-062-01C	Market Bin	35 3/4"	35 3/4"	31 3/4"
TBOR-063-01C	Market Bin - Tall	35 3/4"	35 3/4"	35 3/4"

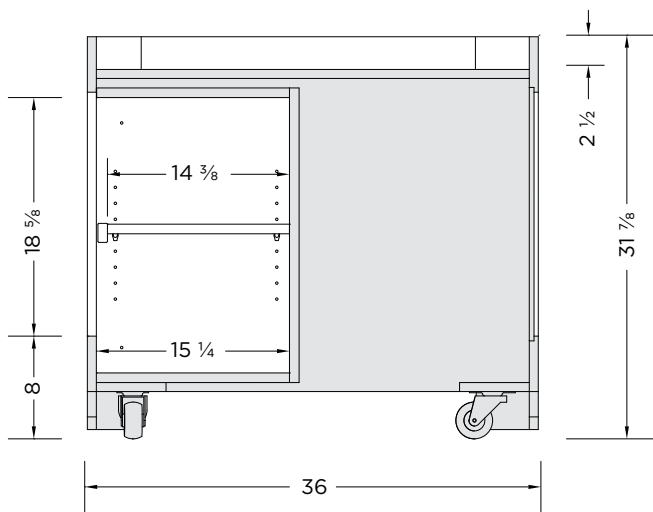
FEATURES:

- Birch/maple plywood, solid maple, melamine and MDF construction
- Heavy duty casters (2 locking)
- Corner guards

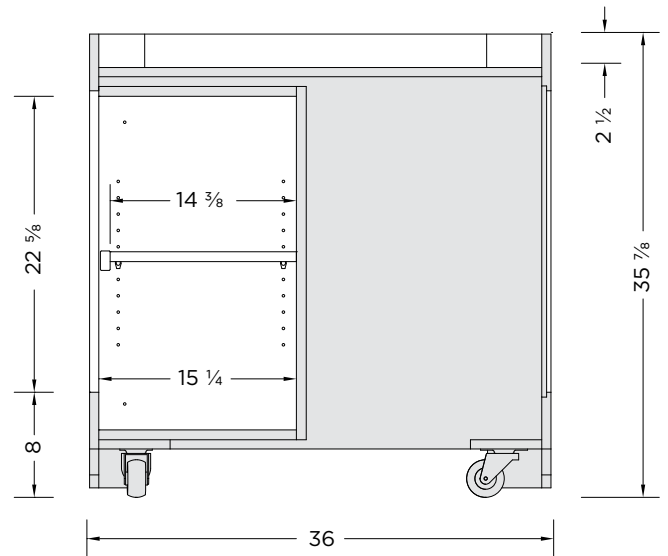
OPTIONS:

- ABS haircell liner
- Wire cage
- 1 1/2" ABS bumper
- Refer to Wood Stains Finishes

Note: Information and specifications may change due to engineering improvements.



TBOR-062-01C



TBOR-063-01C

MARKET BIN



Clear finish shown



Choco Cherry finish
w/Wire Cage shown.
Other finishes available
- see chart.

MODEL	DESCRIPTION	LENGTH	DEPTH	HEIGHT
TBOR-060-01C	Market Bin	35 3/4"	35 3/4"	31 3/4"
TBOR-061-01C	Market Bin - Tall	35 3/4"	35 3/4"	35 3/4"

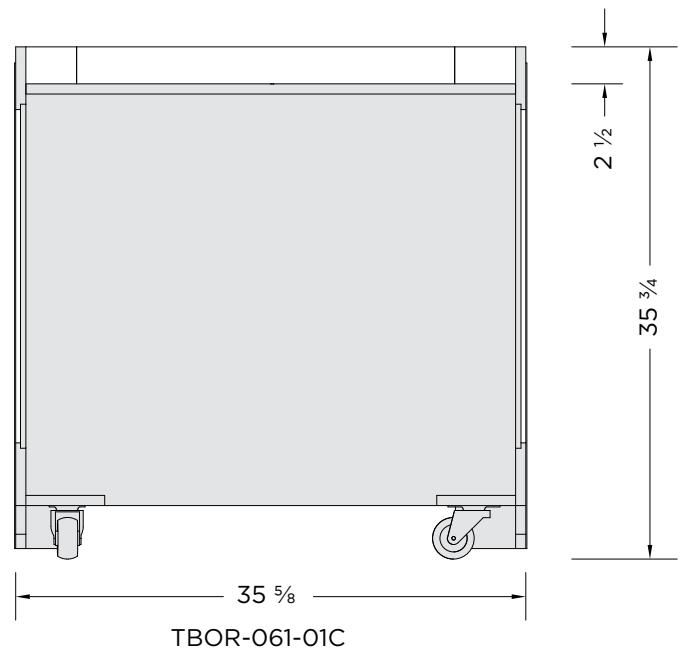
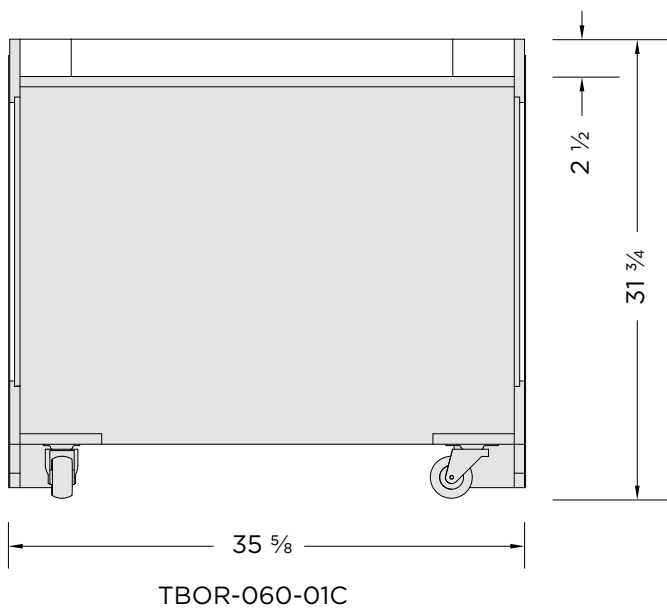
FEATURES:

- Birch/maple plywood and MDF construction
- Heavy duty casters (2 locking)
- Corner guards

OPTIONS:

- ABS haircell liner
- Wire cage
- 1 1/2" ABS bumper
- Refer to Wood Stains Finishes

Note: Information and specifications may change due to engineering improvements.



CLOSED WING TABLE



Clear finish shown



Select Cherry finish w/
ABS Liner shown. Other
finishes available - see
chart.

MODEL	DESCRIPTION	LENGTH	DEPTH	HEIGHT
TBOR-079-01B	Closed Wing Table	34 7/8"	17 7/8"	31 1/4"

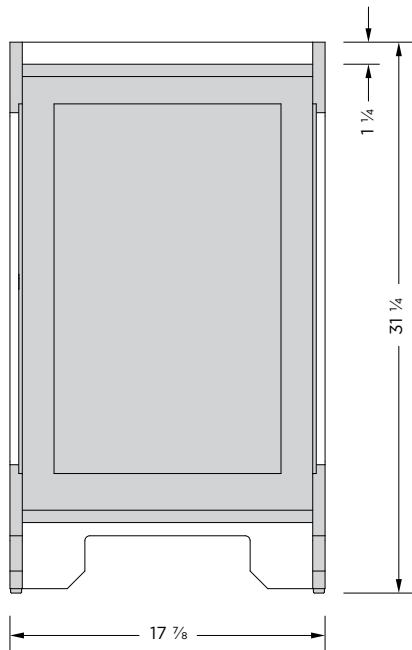
FEATURES:

- Birch/maple plywood and solid maple and construction
- Adjustable shelf on shelf pins
- Protective corner guards

OPTIONS:

- ABS haircell liner
- 1 1/2" ABS bumper
- Refer to Wood Stains Finishes

Note: Information and specifications may change due to engineering improvements.



TBOR-079-01B

WING TABLE - 3 OPEN SIDES



Clear finish shown



Weathered Wood finish w/ABS Liner shown. Other finishes available - see chart.

MODEL	DESCRIPTION	LENGTH	DEPTH	HEIGHT
TBOR-078-01B	Wing Table - 3 Open Sides	34 7/8"	17 7/8"	31 1/4"

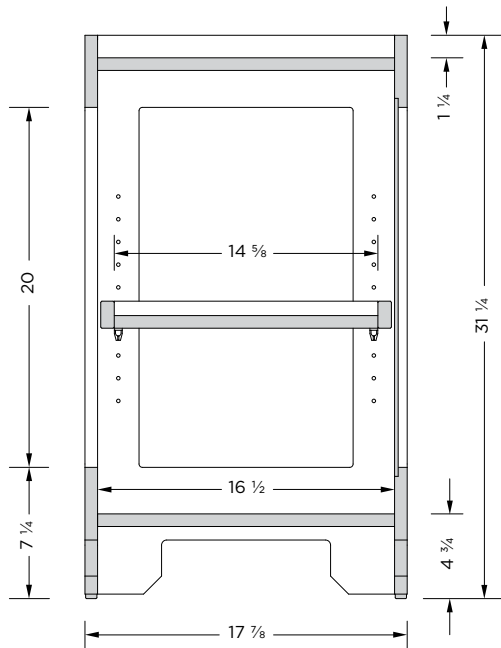
FEATURES:

- Birch/maple plywood and solid maple and construction
- Adjustable shelf on shelf pins
- Protective corner guards

OPTIONS:

- ABS haircell liner
- 1 1/2" ABS bumper
- Refer to Wood Stains Finishes

Note: Information and specifications may change due to engineering improvements.



TBOR-078-01B

WALKAROUND SHELVING DISPLAY



MODEL	DESCRIPTION	LENGTH	DEPTH	HEIGHT
SDIM-017-01B	Walkaround Shelving Display - 4 Fixed Shelves	24"	24"	59"
SDIM-017-01C	Walkaround Shelving Display - 5 Fixed Shelves	24"	24"	59"

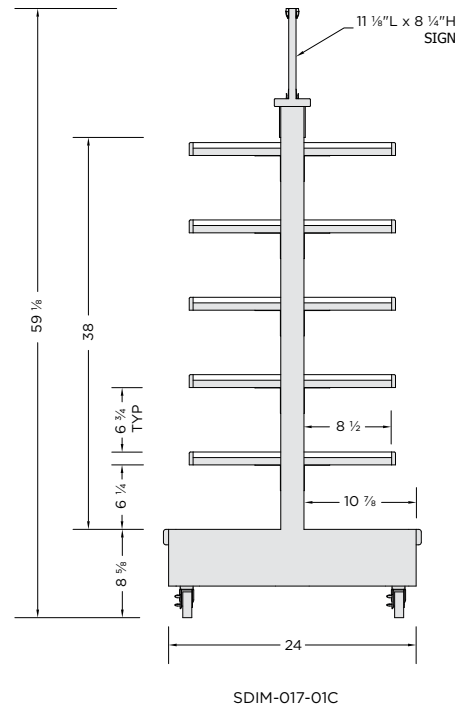
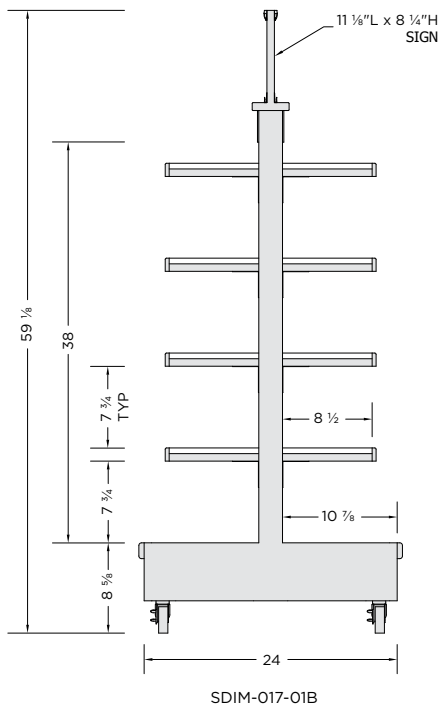
FEATURES:

- Birch/maple plywood & solid maple construction
- Locking casters
- 1 1/2" ABS bumper
- Removeable sign holder (w/snap track & J-channel)

OPTIONS:

- Refer to Wood Stains Finishes

Note: Information and specifications may change due to engineering improvements.



MOBILE BAKERY RACK



Clear finish shown



Danish Walnut finish shown. Other finishes available - see chart.

MODEL	DESCRIPTION	LENGTH	DEPTH	HEIGHT
SDIM-002-02B	Mobile Bakery Rack	28"	20"	66"

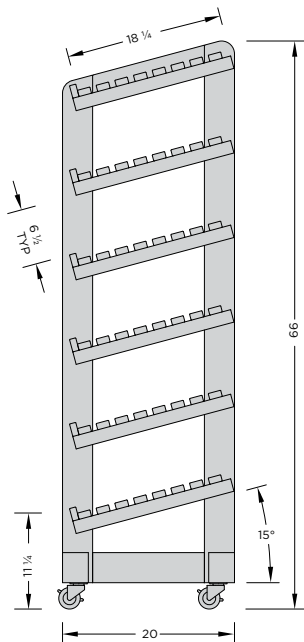
FEATURES:

- Solid maple construction
- Locking casters
- Fixed shelves
- Designed to hold standard 26" x 18" baking tray

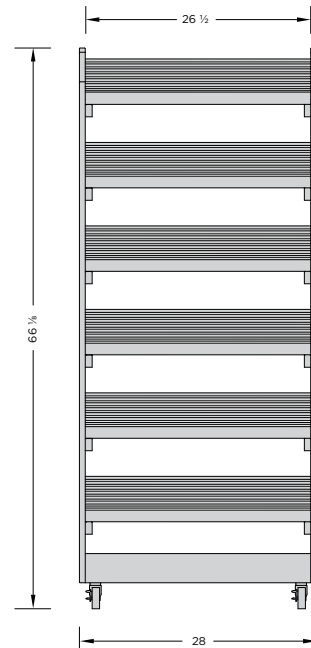
OPTIONS:

- 1 1/2" ABS bumper
- 1" McCue bumper
- Refer to Wood Stains Finishes

Note: Information and specifications may change due to engineering improvements.



SDIM-002-02B



Front View

HANGING WALL SHELVING - 3'

Clear finish shown



Weathered Wood finish shown. Other finishes available - see chart.



Select Cherry finish shown



Concerto finish shown

MODEL	DESCRIPTION	LENGTH	DEPTH	HEIGHT
SDHG-013-01D	Hanging Wall Shelving- 3 Shelf	36"	21"	48"
SDHG-014-01D	Hanging Wall Shelving- 3 Shelf	36"	21"	36"
SDHG-019-02D	Hanging Wall Shelving- 4 Shelf	36"	21"	54"

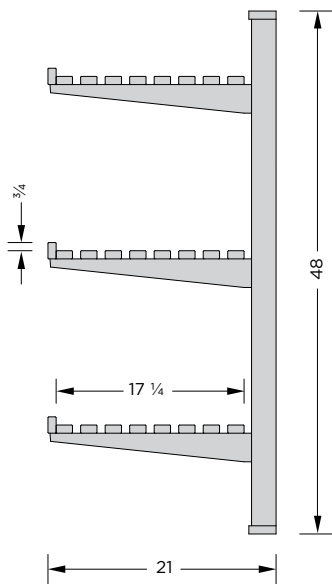
FEATURES:

- Solid maple construction
- Adjustable shelves - flat and 15° angle

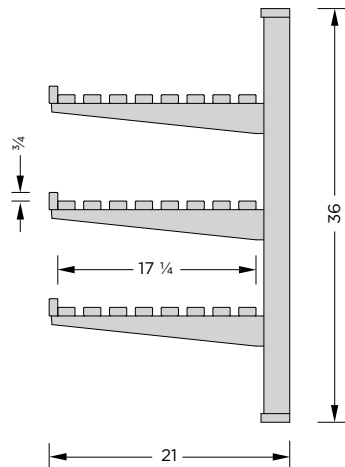
OPTIONS:

- 12", 14", 16", 18" and 21" deep shelves available
- Refer to Wood Stains Finishes

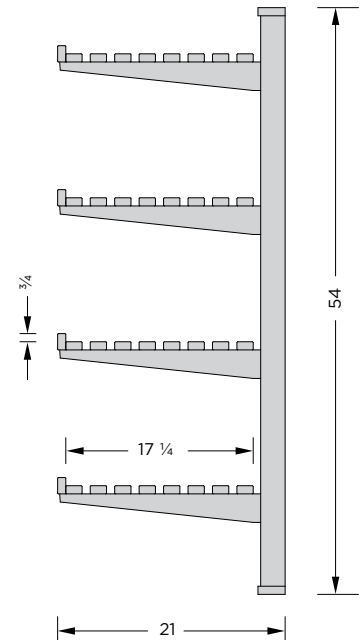
Note: Information and specifications may change due to engineering improvements.



SDHG-013-01D



SDHG-014-01D



SDHG-019-02D

HANGING WALL SHELVING - 4'

Clear finish shown



Select Cherry finish shown. Other finishes available - see chart.



Danish Walnut finish shown



Oiled Cherry finish shown

MODEL	DESCRIPTION	LENGTH	DEPTH	HEIGHT
SDHG-013-02D	Hanging Wall Shelving- 3 Shelf	48"	21"	48"
SDHG-014-02D	Hanging Wall Shelving- 3 Shelf	48"	21"	36"
SDHG-019-01D	Hanging Wall Shelving- 4 Shelf	48"	21"	54"

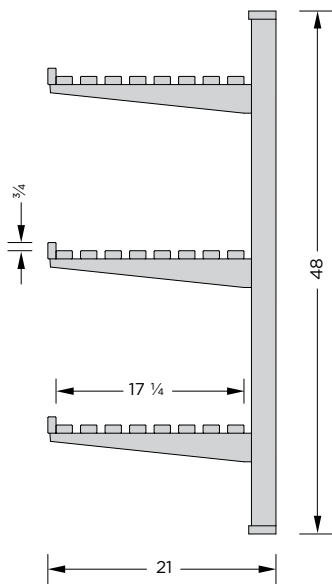
FEATURES:

- Solid maple construction
- Adjustable shelves - flat and 15° angle

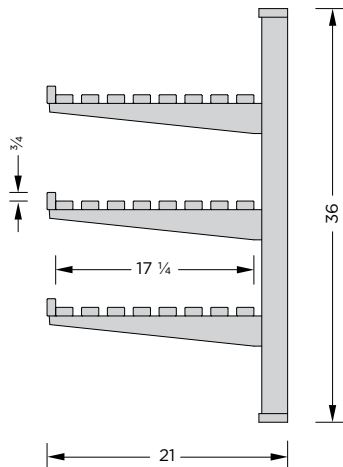
OPTIONS:

- 12", 14", 16", 18" and 21" deep shelves available
- Refer to Wood Stains Finishes

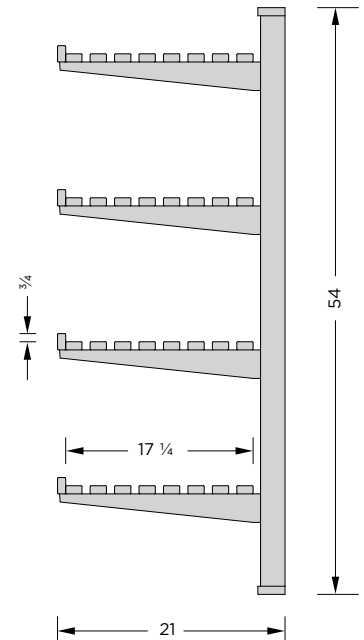
Note: Information and specifications may change due to engineering improvements.



SDHG-013-02D

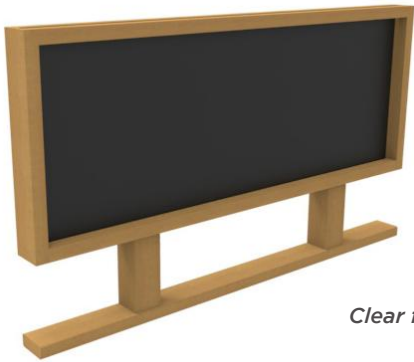


SDHG-014-02D



SDHG-019-02D

SIGN HOLDER



ACSN-008-01B
Sign holder w/ chalkboard
(Max. Sign 28 3/8" x 10 7/8")

Clear finish shown



ACSN-009-01B
Sign holder w/ chalkboard
(Max. Sign 11" x 8 1/4")

MODEL	DESCRIPTION	LENGTH	DEPTH	HEIGHT
ACSN-008-01B	Sign holder w/ chalkboard - 28 3/8" x 10 7/8" Sign	30"	2"	17"
ACSN-009-01B	Sign holder w/ chalkboard - 11" x 8 1/4" Sign	12 5/8"	2"	14 1/2"

FEATURES:

- Solid maple & hard board construction

OPTIONS:

- Refer to Wood Stains Finishes

Note: Information and specifications may change due to engineering improvements.

ACSN-008-01B



SGMB-011-01B Shown
w/ ACSN-008-01B
Sign

ACSN-009-01B



SGMB-011-02B Shown
w/ ACSN-009-01B
Sign



Formica® Laminate

Formica Group provides surfaces that fuse beautiful design with purposeful functionality. Formica® Products provide versatile surfacing solutions that are inspired by and adapt to the way people live, work and play.

Formica® Brand Laminate offers a broader range of looks than ever before. Transform spaces with our modern laminates that are as beautiful as they are durable. Mix and match solids, patterns and finishes.

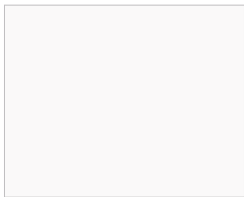
Product Features:

- Postforming
- Durable and Wear-resistant
- Horizontal and Vertical
- Impact Resistant

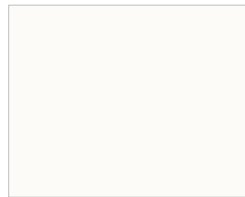
Formica® EliteForm

Our innovative Formica® EliteForm surfacing technology redefines the performance attributes of high pressure laminate to deliver a more durable laminate for today’s market. Formica® Laminate with EliteForm features superior scratch resistance over other laminate brands, the ability to postform to a smaller radius with better blister resistance, and more durable, long-lasting surfaces, including the Gloss texture in horizontal applications. EliteForm comes standard on all Formica® Laminates, at no additional cost.

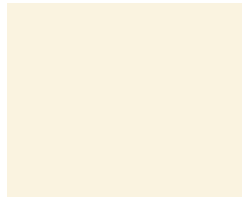
Price Group One: All Colours are matte (-58) finish



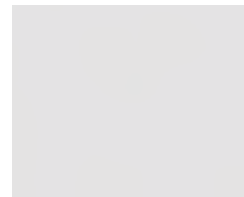
949
White



7197
Dover White



920
Almond



927
Folkstone



961
Fog



845
Spectrum Red



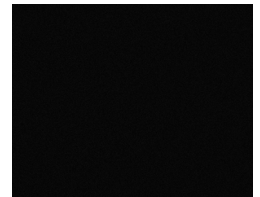
7897
Spectrum Green



914
Marine Blue



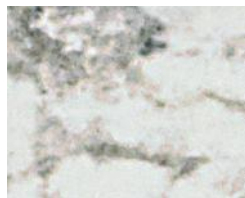
2297
Terril



909
Black



6696
Carrara Bianco



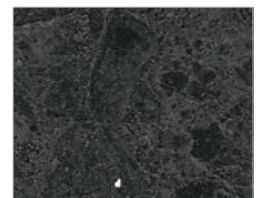
9476
White Ice Granite



9497
Silver Quartzite



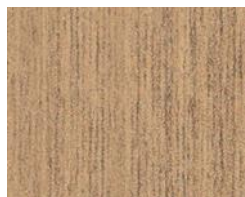
7732
Butterum Granite



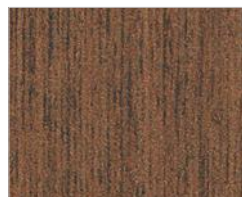
9527
Black Shalestone



8844
Aged Ash



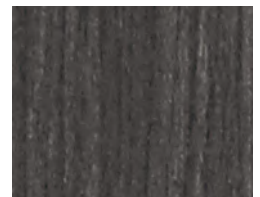
5883
Pecan Woodline



5884
Chestnut Woodline



9283
Walnut Riftwood



6414
Black Riftwood

Price Group Two: All Colours are matte finish



6997
Pale Brushstroke



6998
Wood Brushstroke



7813
Cardboard Solidz



9319
Stainless



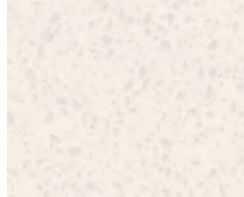
8918
Blackened Steel



9310
White Marble Herringbone



9285
White Twill



6698
Paloma Pear



503
Stone Grafix



8830
Elemental Concrete



8841
White Ash



5785
Ashwood Beige



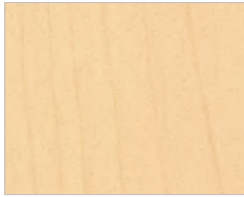
5795
Camel Elm



8845
Bleached Legno



8916
Blackened Fiberwood



86992
Hardrock Maple



7012
Amber Maple



8677
Scandi Rift Oak



6995
Cherry Walnut



7759
Select Cherry



Formica Canada Inc. is located in St-jean-sur-Richelieu, Quebec, and employs more than 250 people.

Formica Canada is proud to be part of the Well Made Here local purchasing program.

As the inventor of high pressure laminate, Formica Corporation has always worked to provide innovative, high quality products. Efficient use of resources is at our core, and we have taken many steps to improve our environmental footprint - from reusing the water in our presses to incorporating recycled materials into our surfacing products. We are committed to a long-term planning horizon that includes becoming an industry-leading environmental steward.



For larger laminate sample, please visit:
cayugadisplays.com 1-800-839-5536
formica.com 1-800-FORMICA™

PAINTED METAL

- **Standard products in stock**
- **RAL Program** colours not listed are also available upon request
- **Non-RAL Program** colours have long lead times and could affect deliver date

CAYUGA STOCK COLOURS



Cayuga Black



Cayuga White

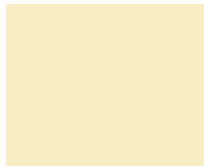
Cayuga black and white colours come in a textured finish.

Matte finish is available upon request.

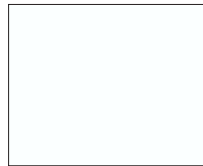
RAL STOCK COLOURS



Traffic Blue
Ral 5017



Cream
Ral 9001



Pure White
Ral 9010



Traffic Orange
Ral 2009



Pebble Grey
Ral 7032



Basalt Grey
Ral 7012



Traffic Grey
Ral 7042



Quartz Grey
Ral 7039



Traffic Red
Ral 3020

WOOD STAINS

CAYUGA STANDARD WOOD GRAINS



Oiled Cherry
Match to Pionite/Panolam
WC421 (Oiled Cherry)



Wild Cherry
Match to Formica 5904-43
(Wild Cherry)



Select Cherry
Match to Formica 7759
(Select Cherry)



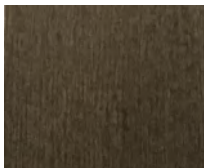
Choco Cherry
Match to Panval/Uniboard
207 (Choco Cherry)



Natural Maple
Match to Formica 86992-58
(Hardrock Maple)



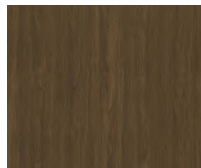
Pearwood
Match to Pionite/Panolam
WX031 (Pearwood)



Weathered Wood
Match to Formica 8909-NF
(Cascara Teakwood)



Concerto
Match to Arborite T485/
Tafisa L485 (Concerto)



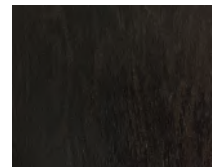
Danish Walnut
Match to Arborite W305
(Parliament Walnut)



Witchcraft
Match to Pionite/Panolam
WX421 (Witchcraft)



Iron Mountain
Match to Formica 912-58
(Storm)



Baloil
Match to Formica 6414 NG
(Black Riftwood)

Refer to physical swatches for a true representation of colors, above images may appear slightly different than actual samples.

HOW TO ORDER

We'll help you select the right case for your requirements. The steps below will help us to serve you best.

- 1 Choose the showcase that meets your display requirements from the product specification sheets.
- 2 Review the options table found on the specification sheet and make your selections of the options provided.
- 3 Select from the large pallet of colours found on the last five pages of the brochure, or choose a stainless steel, standard black or white for the exterior finish of your showcase.
- 4 E-mail your request for a quote to your Cayuga sales representative or sales@cayugadisplays.com and we will quickly respond to your request. Please include your full contact information in case we have any questions.

Contact the inside sales team

Cayuga Displays

E: sales@cayugadisplays.com

T: 1-800-839-5536

F: 1-905-772-3179



T: 800.839.5536 F: 905.772.3179

E: sales@cayugadisplays.com

A: 88 Talbot St E, PO Box 130
Cayuga, ON N0A 1E0

